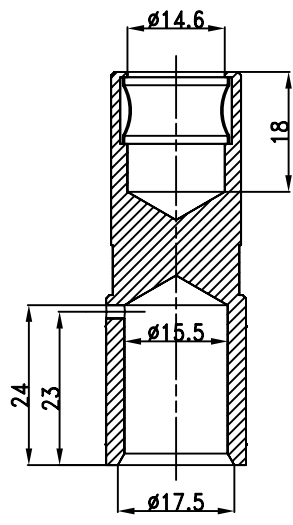
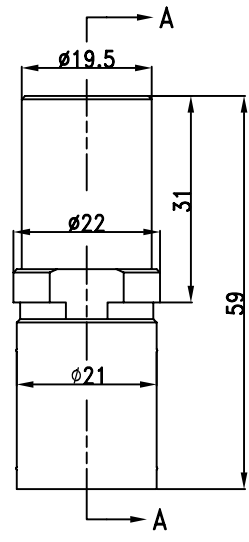
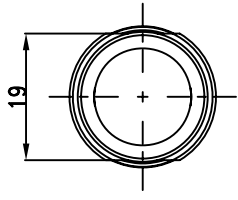
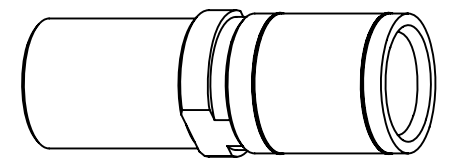


Filing clerk  
date

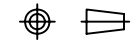


section A-A

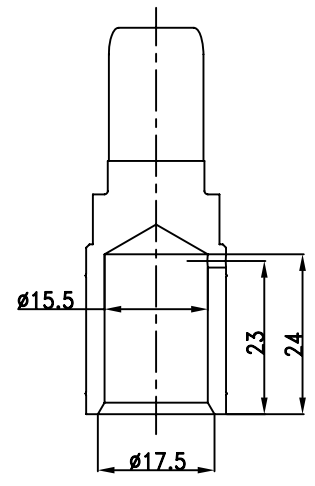
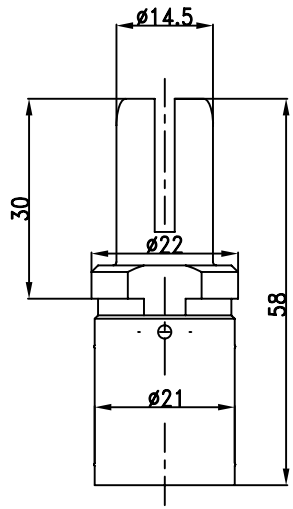


					surface			
					material			
mark number		Changes file number	signature	date	sale	edition	weight	quantity
design			standard.					
drawing								
audit								
process			approval					

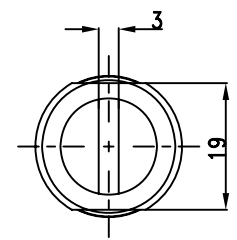
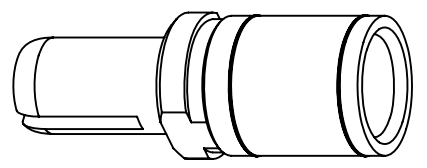
Drawing	
Production Code	CHSF350-120G
Material Code	
Name	
 厦门唯恩电气有限公司 XIAMEN WAIN ELECTRICAL CO.LTD	



Filing  
clerk  
date



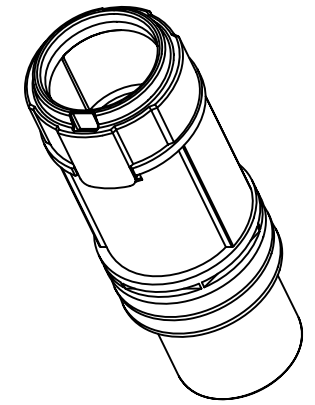
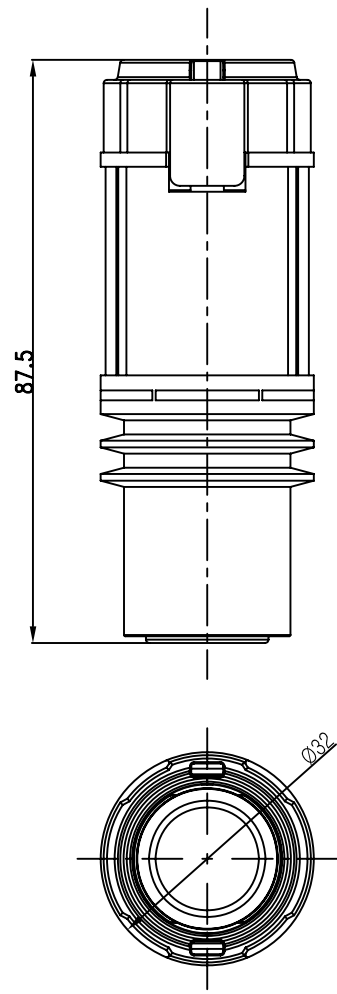
section A-A




					surface		Drawing	
					material		Production Code	CHSM350-120
mark number		Changes file number	signature	date	sale	edition	weight	quantity
design			standard.				Name	
drawing								
audit								
process			approval					厦门唯恩电气有限公司 XIAMEN WAIN ELECTRICAL CO.LTD

Filing  
clerk  
date

1 2 3 4 5 6



Inserts:  
 1. Rated current 350A  
 Rated voltage 2000V  
 Rated impulse voltage 12KV  
 Pollution degree 3  
 2. Insulation resistance  $\geq 10^{10} \Omega$   
 Material polyamide  
 Limiting temperatures  $-40^{\circ}\text{C} \dots +125^{\circ}\text{C}$   
 Flammability acc.to UL94 V 0  
 Mechanical working life-mating cycles  $\geq 500$   
 Wire gauge 120mm<sup>2</sup>

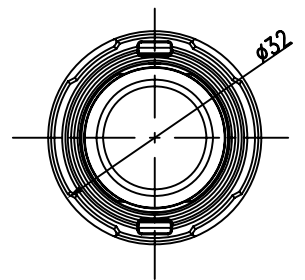
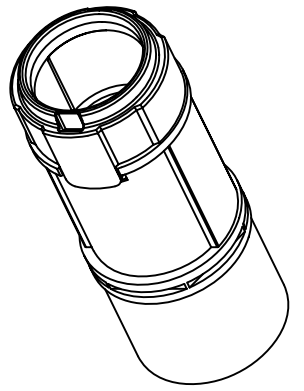
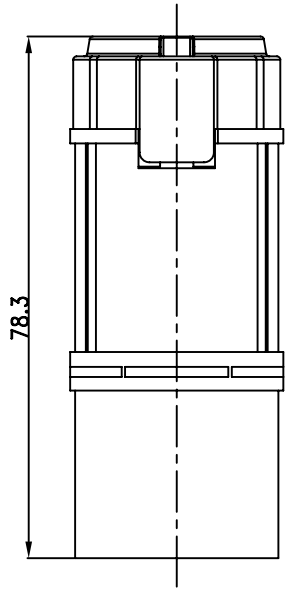
				surface				Drawing	
								Production Code	
mark number		Changes file number		signature		date		Material Code	
design				standard.				Name	
drawing								Name	
audit								Name	
process				approval				Name	
								 厦门唯恩电气有限公司 XIAMEN WAIN ELECTRICAL CO.LTD	

D  
C  
B  
A

1 2 3 4 5 6

Filing  
clerk  
date

1 2 3 4 5 6



Inserts:  
 1. Rated current 350A  
 Rated voltage 2000V  
 Rated impulse voltage 12KV  
 Pollution degree 3  
 2. Insulation resistance  $\geq 10^{10} \Omega$   
 Material polyamide  
 Limiting temperatures  $-40^{\circ}\text{C} \cdots +125^{\circ}\text{C}$   
 Flammability acc.to UL94 V 0  
 Mechanical working life-matingcycles  $\geq 500$   
 Wire gauge 120mm<sup>2</sup>

					surface		Drawing	
					material		Production Code	HC350-MC
mark number	Changes file number		signature	date	sale	edition	weight	quantity
design			standard.					
drawing								
audit								
process			approval					厦门唯恩电气有限公司 XIAMEN WAIN ELECTRICAL CO.LTD

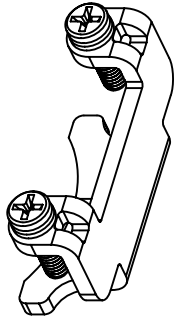
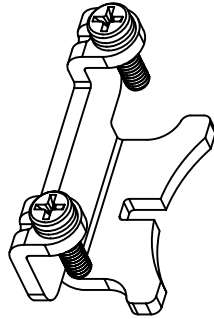
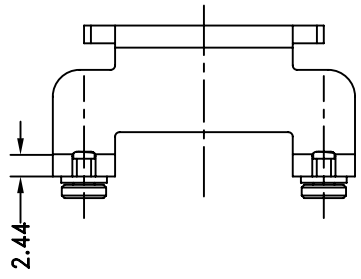
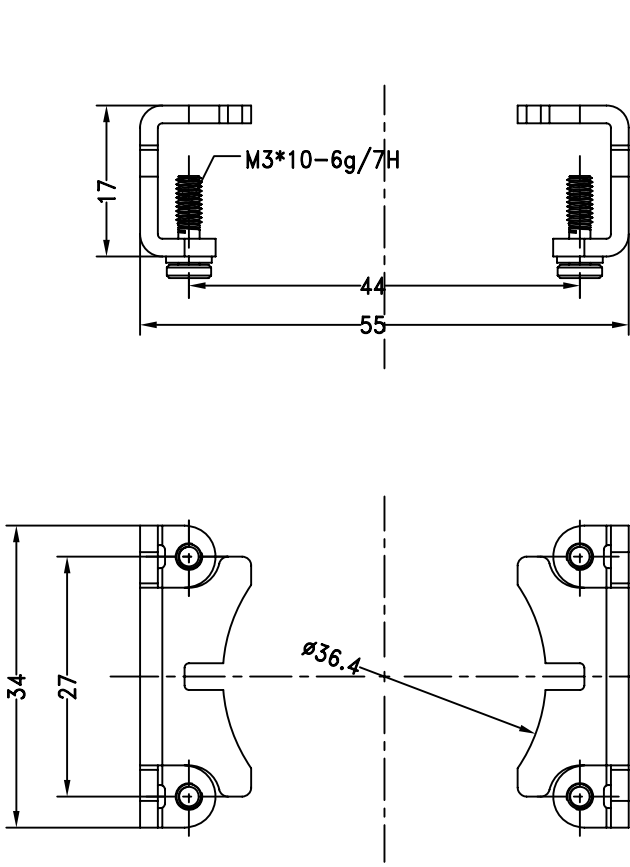
D  
C  
B  
A

1 2 3 4 5 6

date  
 Filing clerk

1 2 3 4 5 6

D  
 C  
 B  
 A

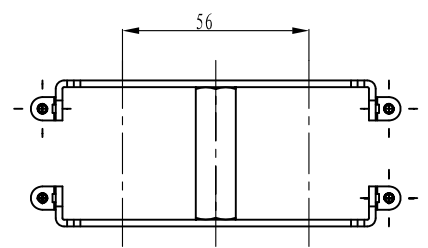
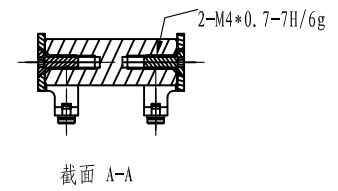
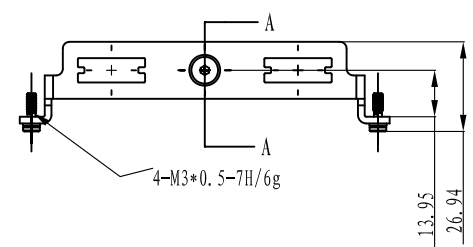
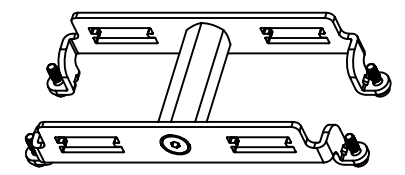
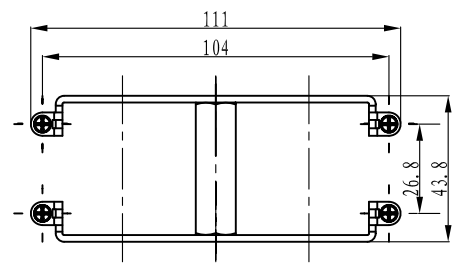


					surface				
					material				
mark number	Changes file number	signature	date		sale	edition	weight	quantity	
design		standard							
drawing									
audit									
process		approval							

Drawing	
Production Code	HF6B-001R
Material Code	
Name	
厦门唯恩电气有限公司 XIAMEN WAIN ELECTRICAL CO.LTD	

1 2 3 4 5 6

Filing clerk  
date

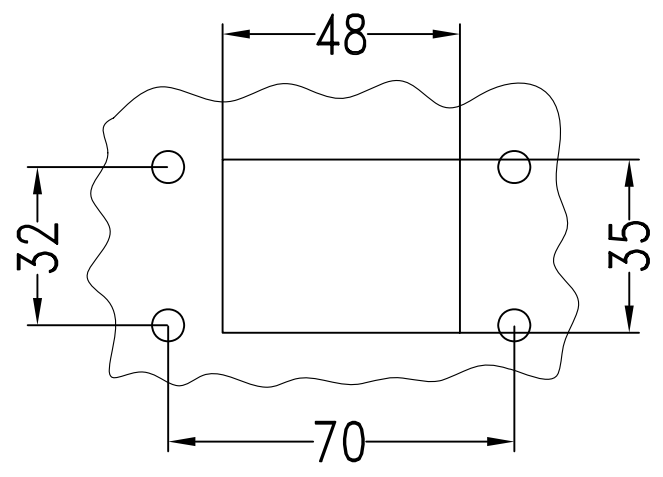
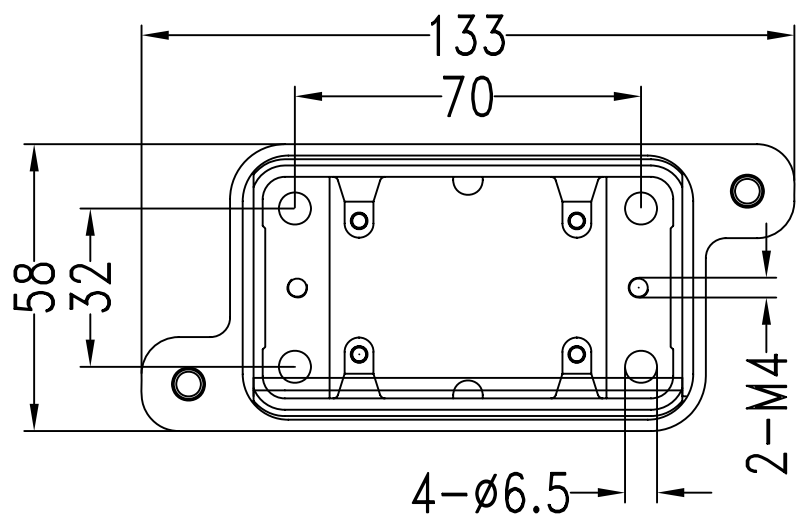
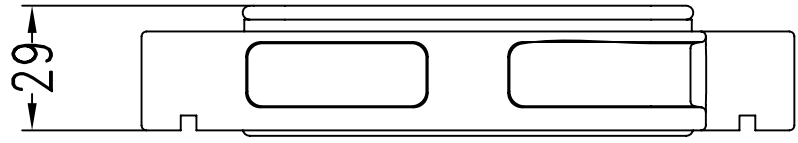


						surface		Drawing	
								Production Code	
mark number		Changes file number		signature		date		Material Code	
design				standard				Name	
drawing						sale edition weight quantity			
audit									
process				approval				厦门唯恩电气有限公司 XIAMEN WAIN ELECTRICAL CO.LTD	

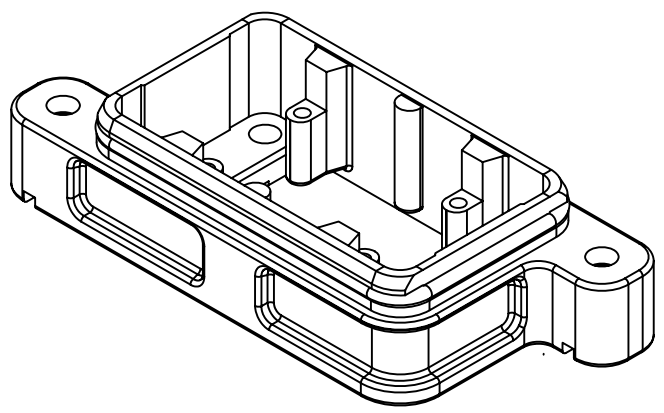
D  
C  
B  
A

1 2 3 4 5 6

Filing clerk  
date



Panel cut out

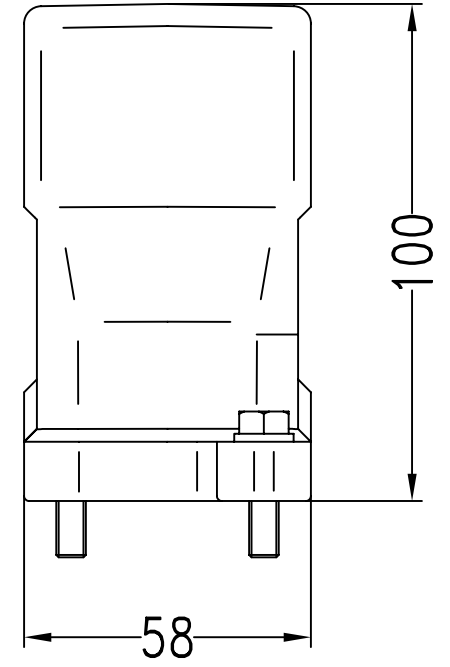
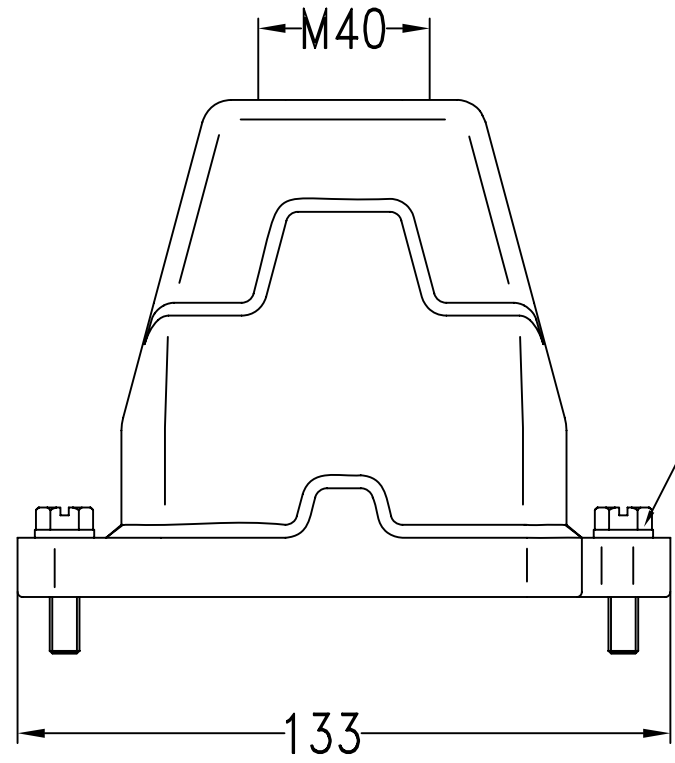
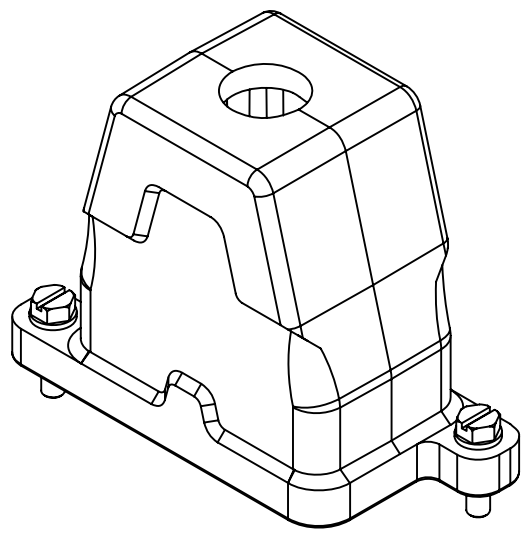


					surface			Drawing	
					material			Production Code	HP6B/H-BK-2H
mark	number	Changes file number		signature	date			Material Code	
design			standard.			sale	edition	weight	quantity
drawing								Name	
audit									
process			approval					厦门唯恩电气有限公司 XIAMEN WAIN ELECTRICAL CO.LTD	

Filing clerk  
date

1 2 3 4 5 6

D  
C  
B  
A

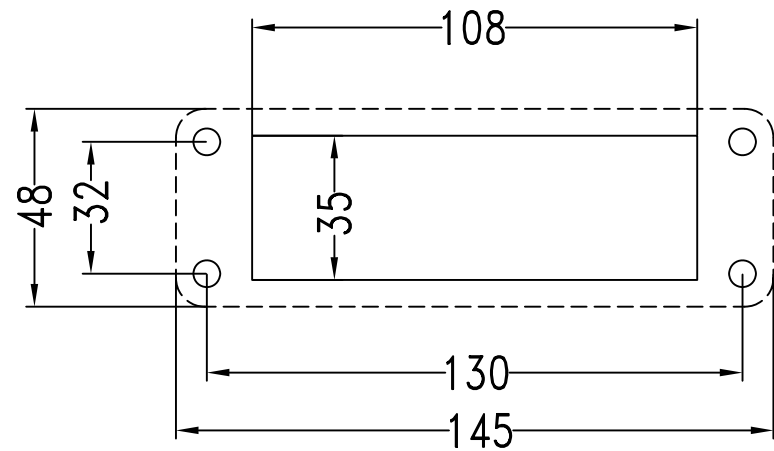
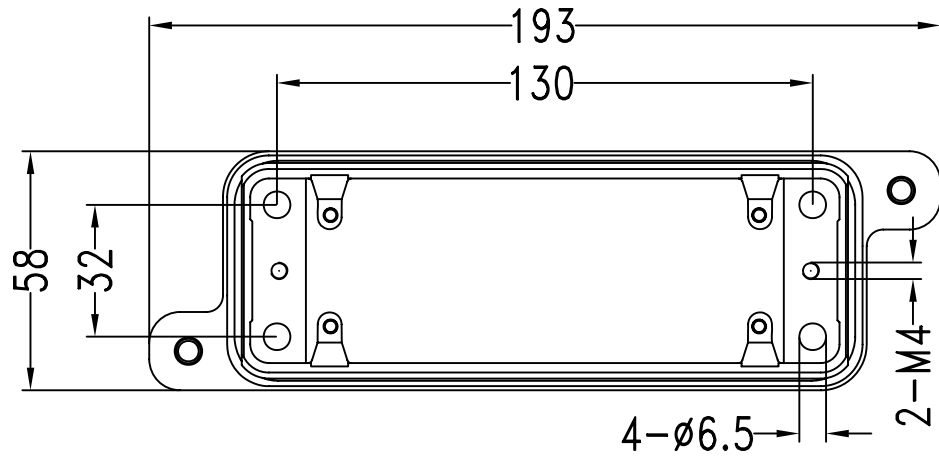
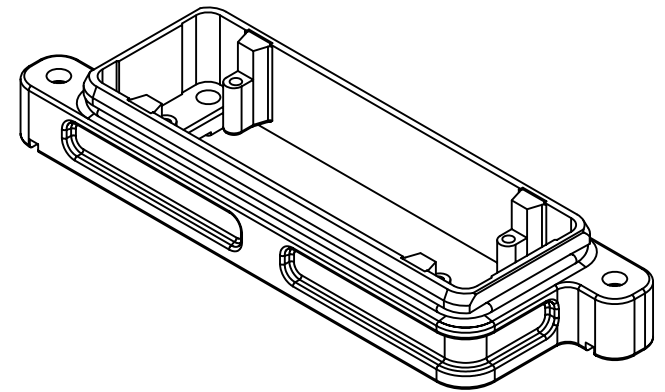
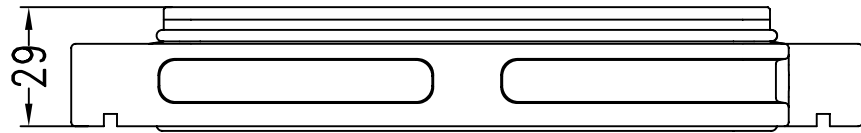


					surface			Drawing	
					material			Production Code	HP6B/H-TEH-2S-M40
mark	number	Changes file number	signature	date	sale	edition	weight	Material Code	
design			standard.					Name	
drawing									
audit									
process			approval						厦门唯恩电气有限公司 XIAMEN WAIN ELECTRICAL CO.LTD

1 2 3 4 5 6



Filing clerk  
date



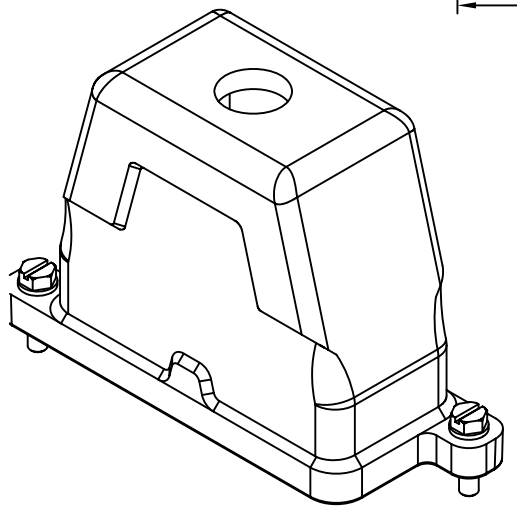
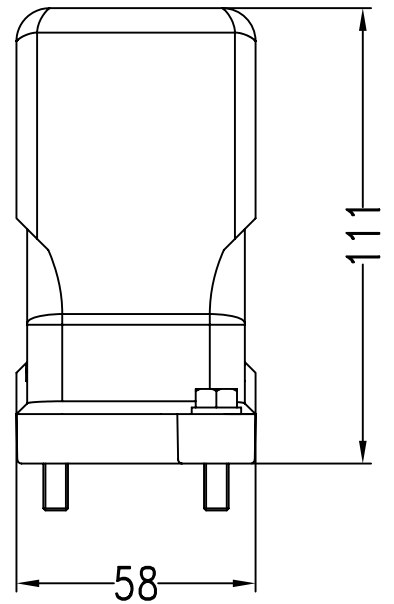
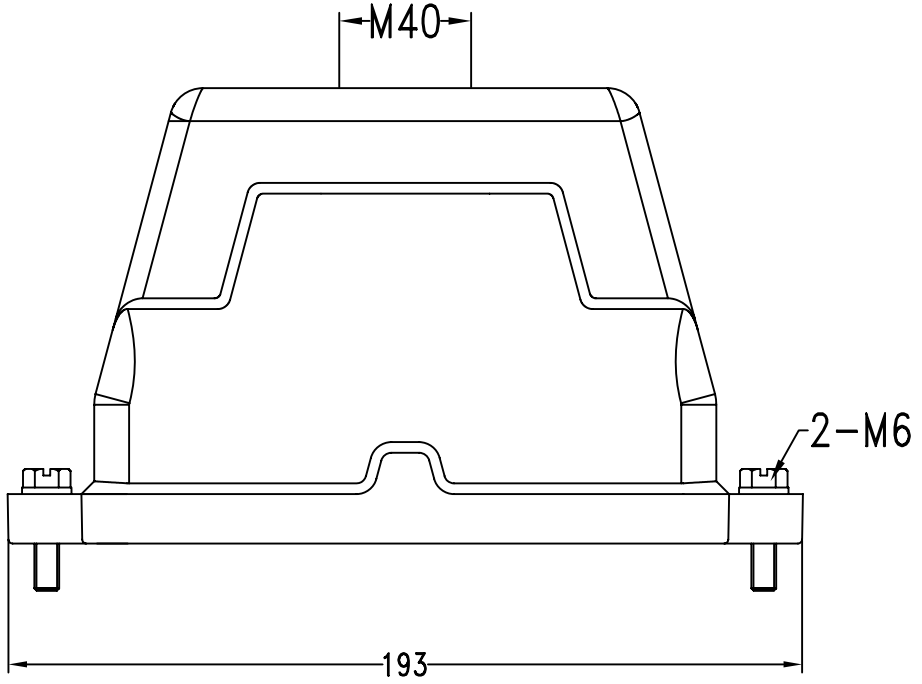
Panel cut out

					surface		Drawing	
					material		Production Code	HP24B/H-BK-2H
mark	number	Changes file number	signature	date	sale	edition	weight	quantity
design			standard.					
drawing								
audit								
process			approval					厦门唯恩电气有限公司 XIAMEN WAIN ELECTRICAL CO.LTD

Filing clerk  
date

1 2 3 4 5 6

D  
C  
B  
A



					surface			Drawing	
					material			Production Code	HP24B/H-TEH-2S-M40
mark	number	Changes file number	signature	date	sale	edition	weight	Material Code	
design			standard.					Name	
drawing									
audit									
process			approval						厦门唯恩电气有限公司 XIAMEN WAIN ELECTRICAL CO.LTD

1 2 3 4 5 6