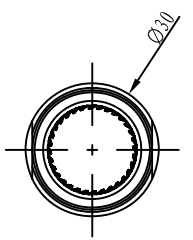
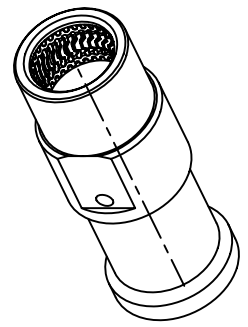
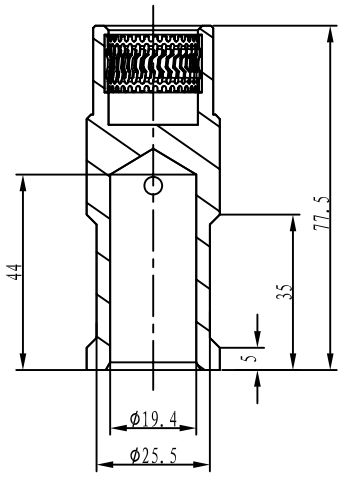
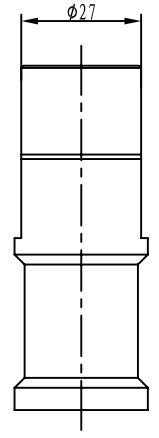


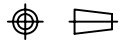
Filing
clerk
date

1 2 3 4 5 6



					surface			
					material			
mark	number	Changes file number	signature	date	sale	edition	weight	quantity
design			standard.					
drawing								
audit								
process			approval					

Drawing	
Production Code	CHSF650-185G
Material Code	
Name	
 厦门唯恩电气有限公司 XIAMEN WAIN ELECTRICAL CO.LTD	



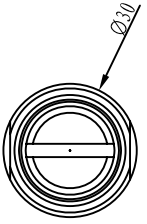
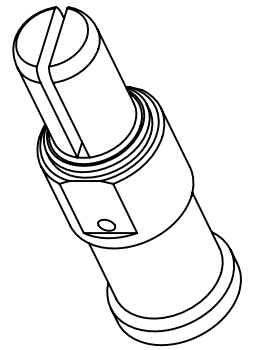
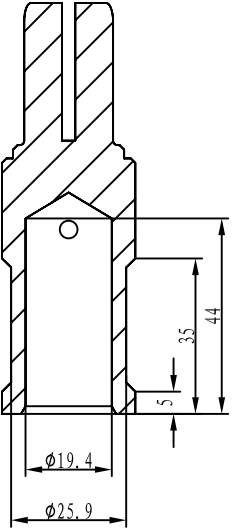
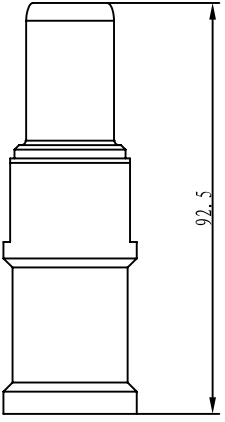
D
C
B
A

D
C
B
A

1 2 3 4 5 6

Filing
clerk
date

1 2 3 4 5 6



					surface			
					material			
mark number		Changes file number		signature				
design			standard.		sale	edition	weight	quantity
drawing								
audit								
process			approval					

Drawing	
Production Code	CHSM650-185
Material Code	
Name	
 厦门唯恩电气有限公司 XIAMEN WAIN ELECTRICAL CO.LTD	

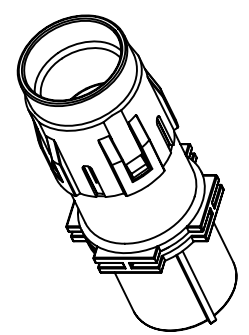
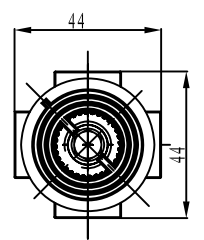
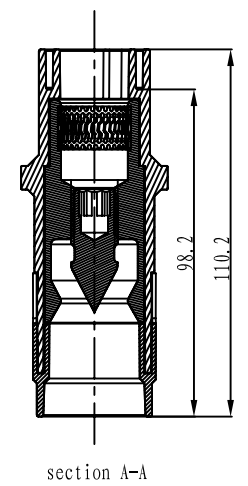
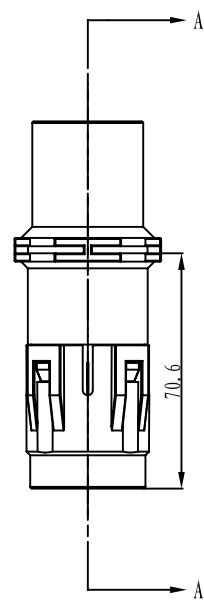
D
C
B
A

D
C
B
A

1 2 3 4 5 6

Filing
clerk
date

1 2 3 4 5 6



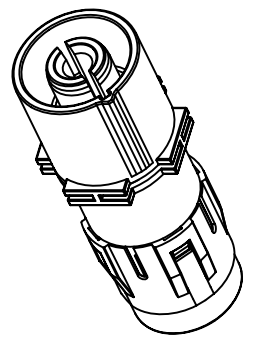
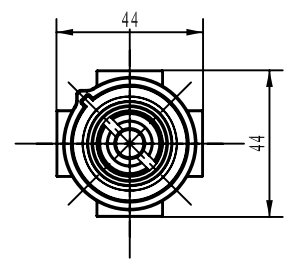
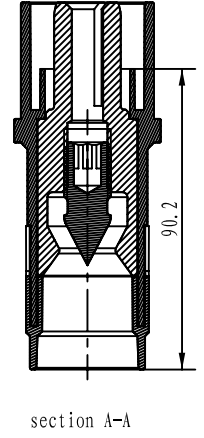
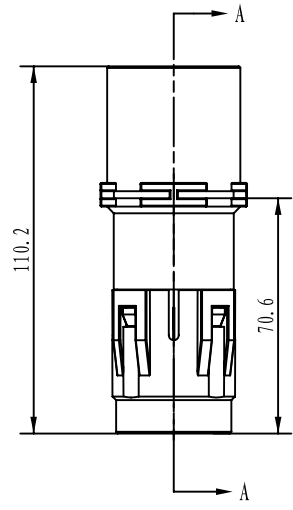
Inserts:
 1. Rated current 650A
 Rated voltage 4000V
 Rated impulse voltage 18KV
 Pollution degree 3
 2. Insulation resistance $\geq 10^{10} \Omega$
 Flammability acc. to UL94 V 0
 Mechanical working life-matingcycles ≥ 500
 Wire gauge 70—120mm²

					surface		Drawing	
					material		Production Code	HC650.120-F
mark number		Changes file number	signature	date	sale	edition	weight	quantity
design			standard.					
drawing								Name
audit								
process			approval					
								厦门唯恩电气有限公司 XIAMEN WAIN ELECTRICAL CO.LTD

D
C
B
A

1 2 3 4 5 6

Filing clerk
date



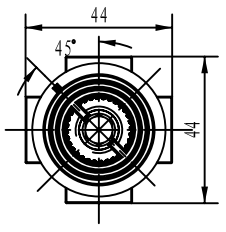
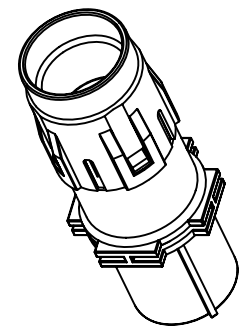
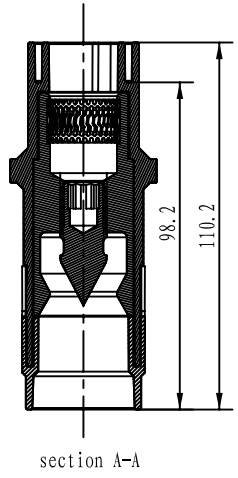
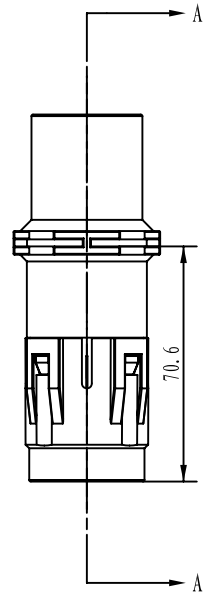
Inserts:

1. Rated current 650A
 Rated voltage 4000V
 Rated impulse voltage 18KV
 Pollution degree 3
2. Insulation resistance $\geq 10^{10} \Omega$
 Flammability acc. to UL94 V 0
 Mechanical working life-matingcycles ≥ 500
 Wire gauge 150-185mm²

					surface		Drawing	
					material		Production Code	HC650.185-M
mark number		Changes file number	signature	date			Material Code	
design			standard.		sale	edition	weight	quantity
drawing							Name	
audit								
process			approval					
								厦门唯恩电气有限公司 XIAMEN WAIN ELECTRICAL CO.LTD

date
Filing clerk

1 2 3 4 5 6



Inserts:

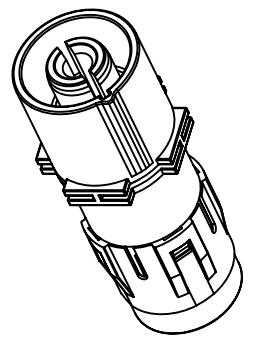
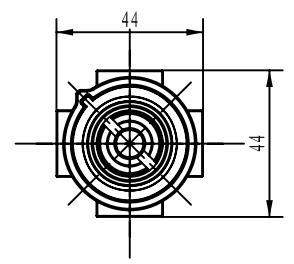
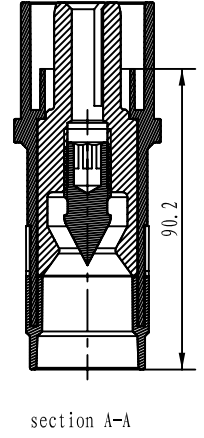
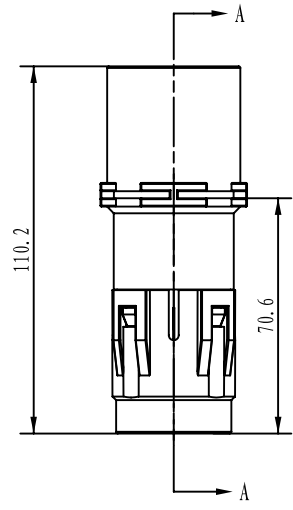
- 1. Rated current 650A
 Rated voltage 4000V
 Rated impulse voltage 18KV
 Pollution degree 3
- 2. Insulation resistance $\geq 10^{10} \Omega$
 Flammability acc. to UL94 V 0
 Mechanical working life-matingcycles ≥ 500
 Wire gauge 150-185mm²

					surface			Drawing		
					material			Production Code	HC650.185-F	
mark number		Changes file number	signature	date				Material Code		
design			standard.		sale	edition	weight	quantity		
drawing								Name		
audit										
process			approval							
									厦门唯恩电气有限公司 XIAMEN WAIN ELECTRICAL CO.LTD	

D
C
B
A

1 2 3 4 5 6

Filing clerk
date



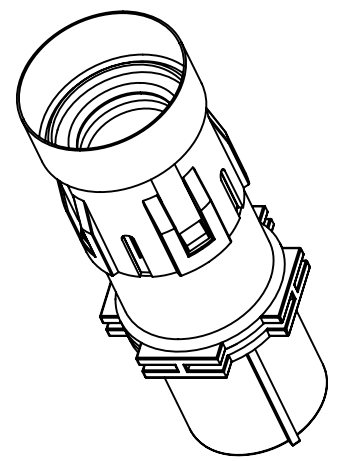
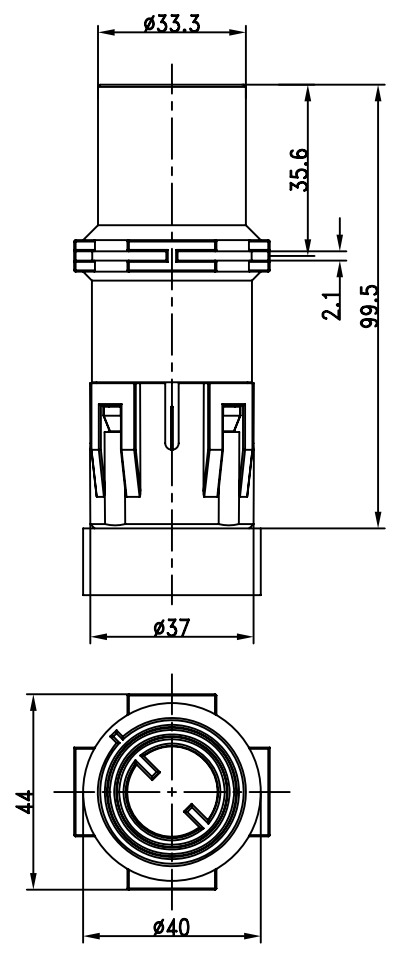
Inserts:

1. Rated current 650A
 Rated voltage 4000V
 Rated impulse voltage 18KV
 Pollution degree 3
2. Insulation resistance $\geq 10^{10} \Omega$
 Flammability acc. to UL94 V 0
 Mechanical working life-matingcycles ≥ 500
 Wire gauge 150-185mm²

					surface		Drawing	
					material		Production Code	HC650.185-M
mark number		Changes file number	signature	date			Material Code	
design			standard.		sale	edition	weight	quantity
drawing							Name	
audit								
process			approval					
								厦门唯恩电气有限公司 XIAMEN WAIN ELECTRICAL CO.LTD

date
Filing clerk

1 2 3 4 5 6



Inserts:
 1. Rated current 650A
 Rated voltage 4000V
 Rated impulse voltage 18KV
 Pollution degree 3
 2. Insulation resistance $\geq 10^{10} \Omega$
 Material polyamide
 Limiting temperatures $-40^{\circ}\text{C} \cdots +125^{\circ}\text{C}$
 Flammability acc.to UL94 V 0
 Mechanical working life-matingcycles ≥ 500
 Wire gauge 240mm²

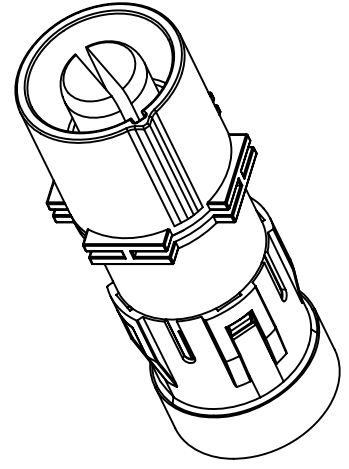
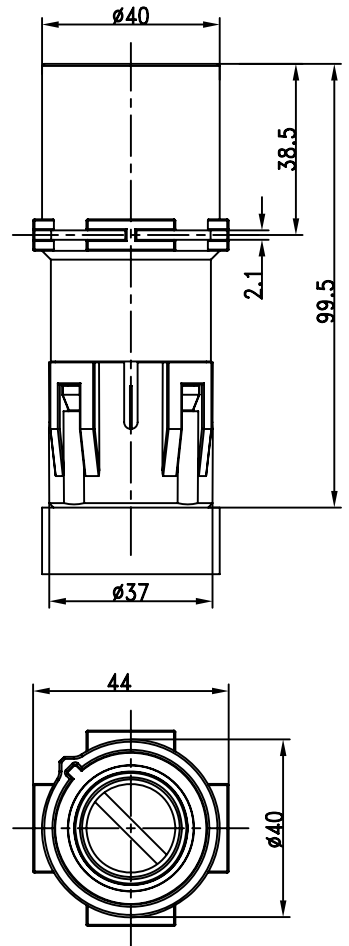
					surface			Drawing	
					material			Production Code	HC650-FC
mark number		Changes file number		signature	date			Material Code	
design			standard.			sale	edition	weight	quantity
drawing								Name	
audit									
process			approval						
								厦门唯恩电气有限公司 XIAMEN WAIN ELECTRICAL CO.LTD	

D
C
B
A

1 2 3 4 5 6

Filing
clerk
date

1 2 3 4 5 6



Inserts:
 1. Rated current 650A
 Rated voltage 4000V
 Rated impulse voltage 18KV
 Pollution degree 3
 2. Insulation resistance $\geq 10^{10} \Omega$
 Material polyamide
 Limiting temperatures $-40^{\circ}\text{C} \cdots +125^{\circ}\text{C}$
 Flammability acc.to UL94 V 0
 Mechanical working life-matingcycles ≥ 500
 Wire gauge 240mm²

					surface			Drawing	
					material			Production Code	HC650-MC
mark number		Changes file number		signature	date			Material Code	
design			standard.			sale	edition	weight	quantity
drawing								Name	
audit									
process			approval						
								厦门唯恩电气有限公司 XIAMEN WAIN ELECTRICAL CO.LTD	

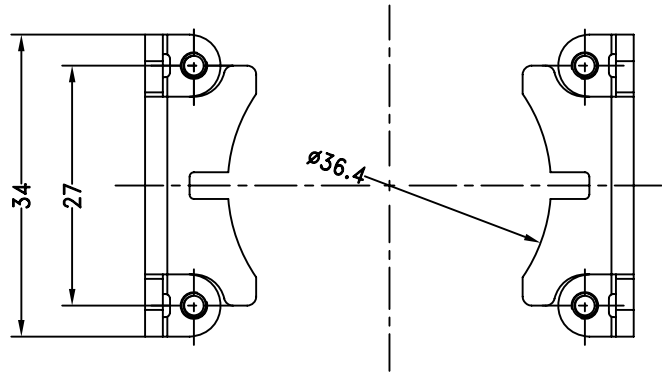
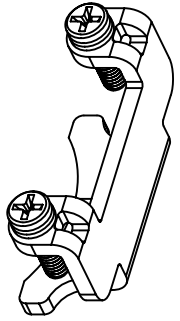
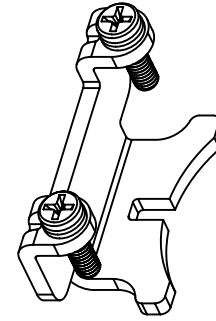
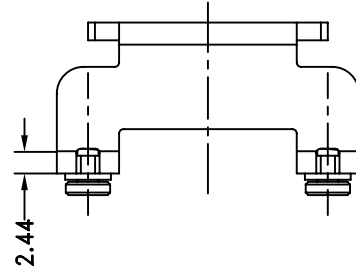
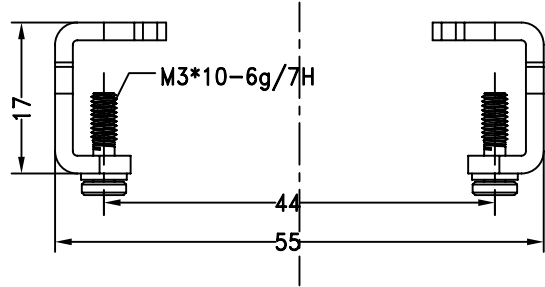
D
C
B
A


1 2 3 4 5 6

date
 Filing clerk

1 2 3 4 5 6

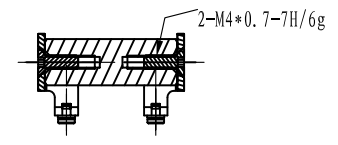
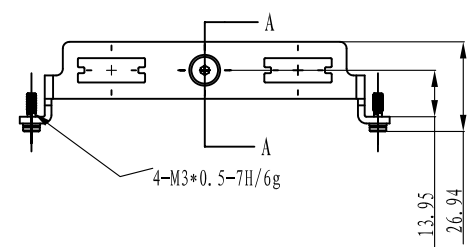
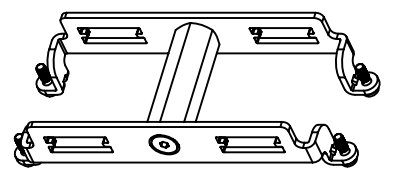
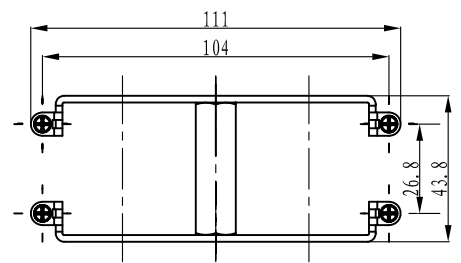
D
 C
 B
 A



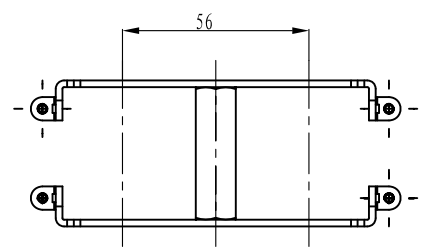
					surface		Drawing	
					material		Production Code	HF6B-001R
mark number	Changes file number	signature	date		sale	edition	weight	quantity
design		standard						
drawing							Name	
audit								
process		approval					 厦门唯恩电气有限公司 XIAMEN WAIN ELECTRICAL CO.LTD	

1 2 3 4 5 6

Filing clerk
date

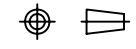


截面 A-A

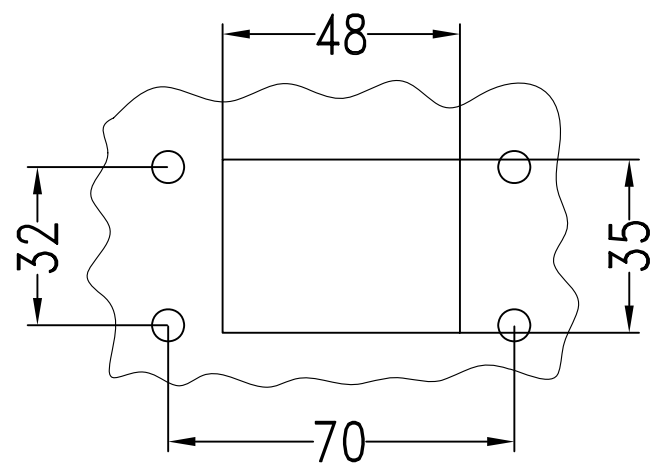
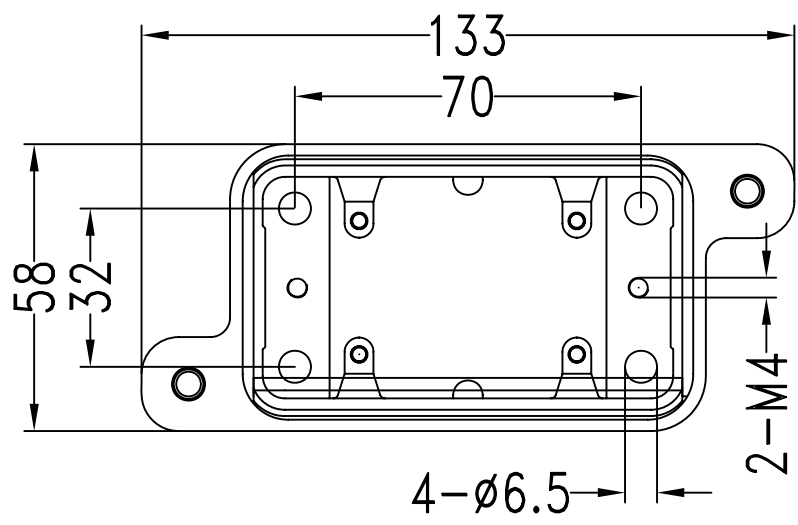
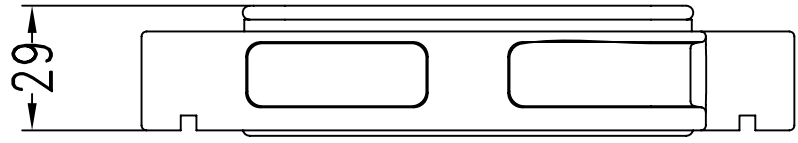


mark	number	Changes file number	signature	date	material	surface		
design			standard.		sale	edition	weight	quantity
drawing								
audit								
process			approval					

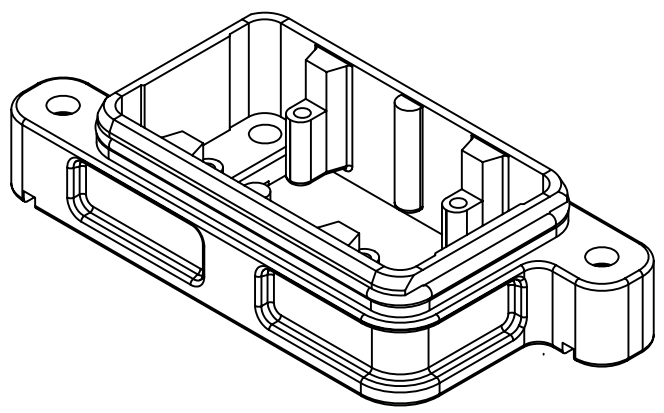
Drawing	
Production Code	HF24B-002R
Material Code	
Name	
 厦门唯恩电气有限公司 XIAMEN WAIN ELECTRICAL CO.LTD	



Filing clerk
date



Panel cut out

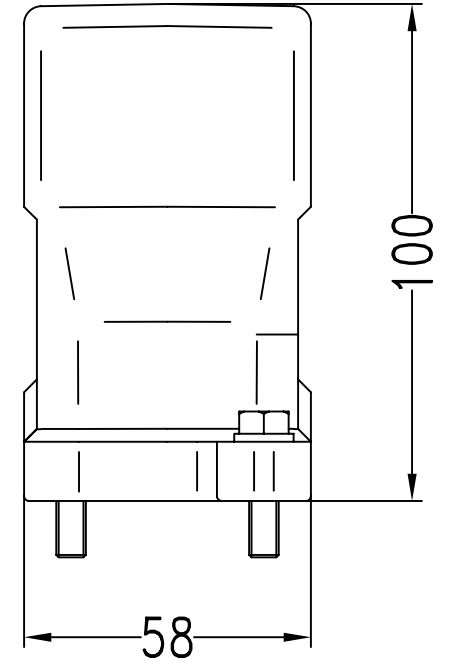
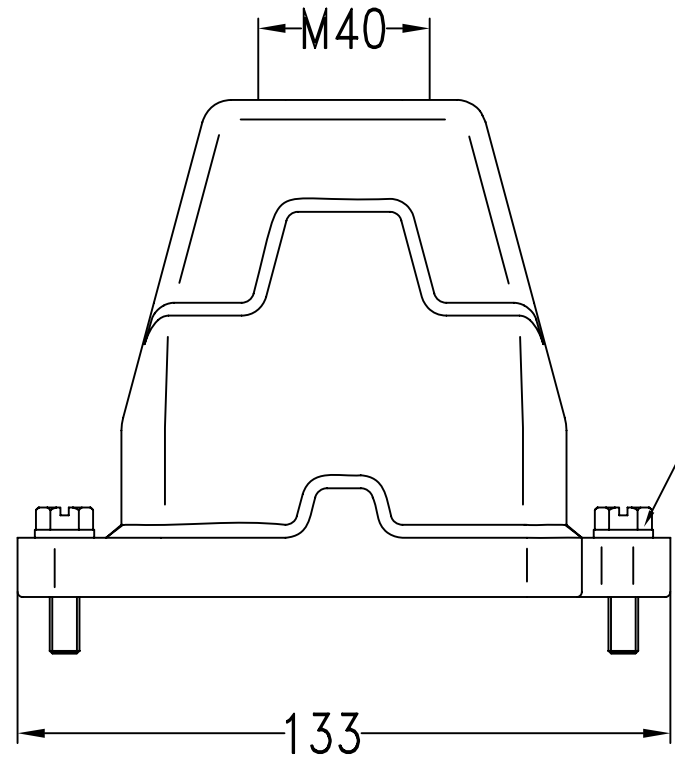
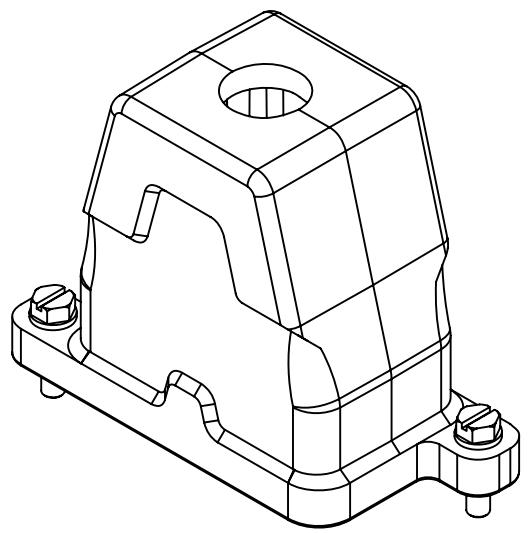


					surface			Drawing	
					material			Production Code	HP6B/H-BK-2H
mark	number	Changes file number		signature	date			Material Code	
design			standard.			sale	edition	weight	quantity
drawing								Name	
audit									
process			approval					厦门唯恩电气有限公司 XIAMEN WAIN ELECTRICAL CO.LTD	

Filing clerk
date

1 2 3 4 5 6

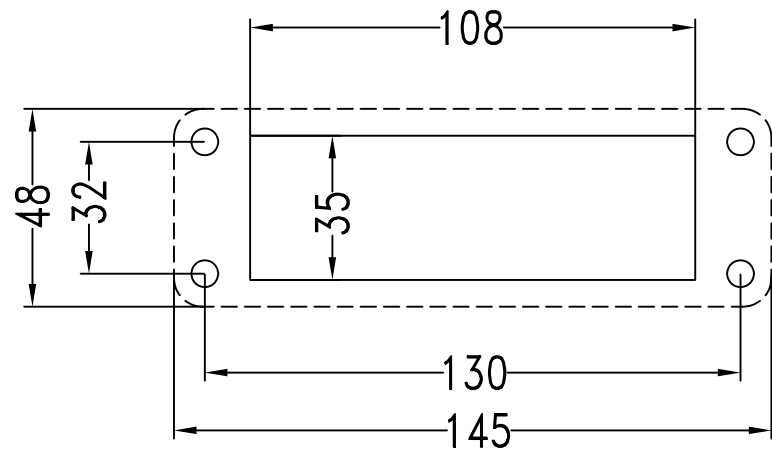
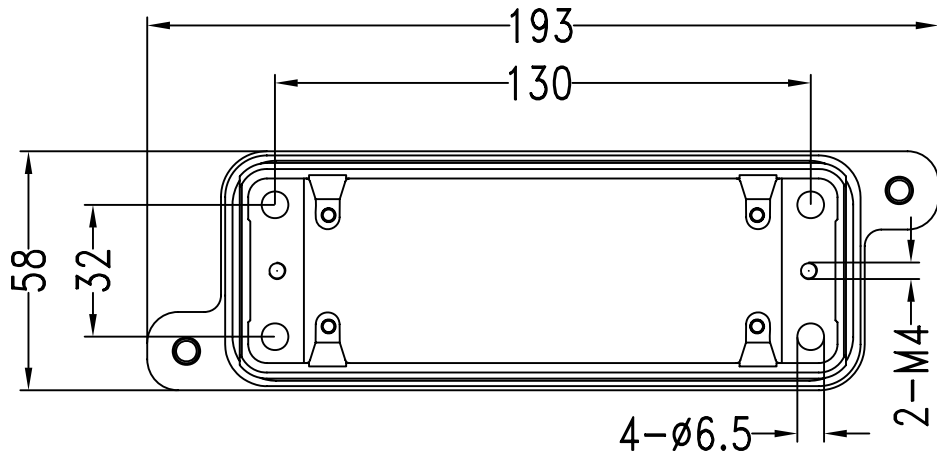
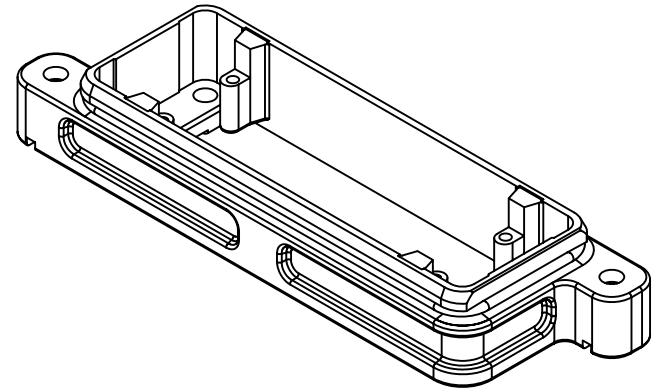
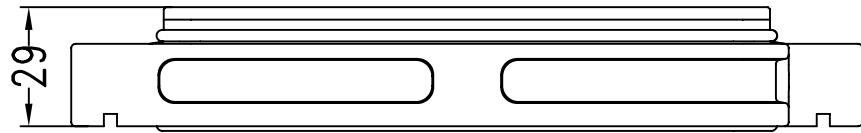
D
C
B
A



					surface			Drawing	
					material			Production Code	HP6B/H-TEH-2S-M40
mark	number	Changes file number	signature	date	sale	edition	weight	Material Code	
design			standard.					Name	
drawing									
audit									
process			approval						厦门唯恩电气有限公司 XIAMEN WAIN ELECTRICAL CO.LTD

1 2 3 4 5 6

Filing clerk
date



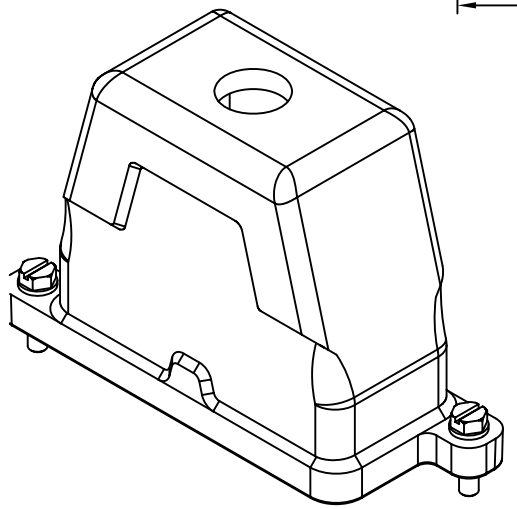
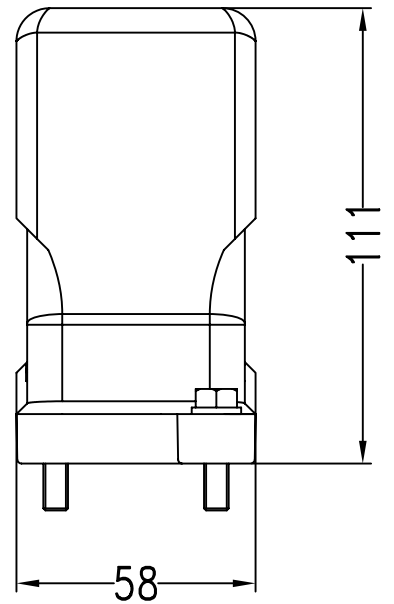
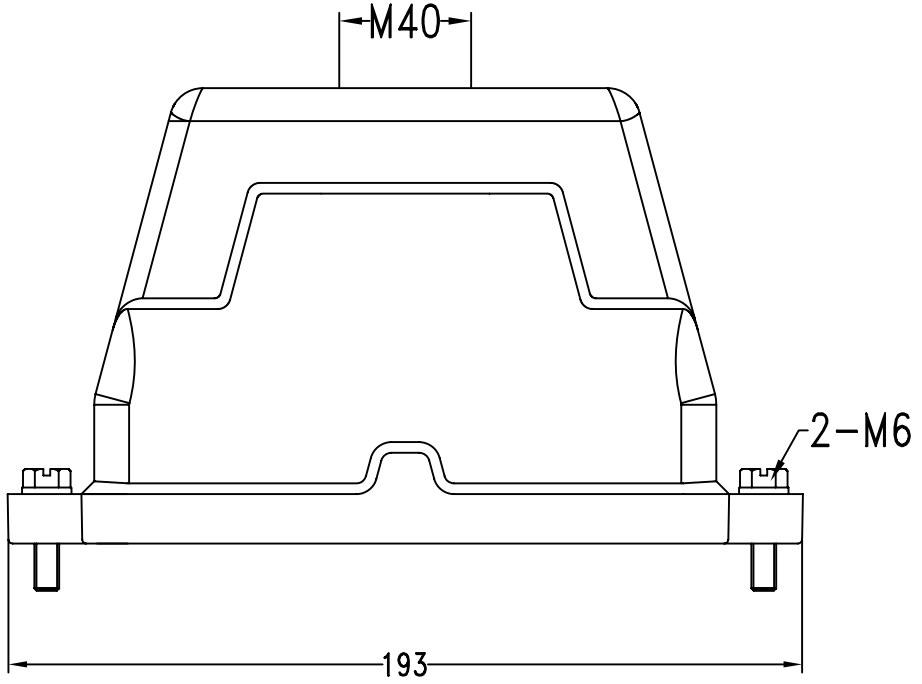
Panel cut out

					surface		Drawing	
					material		Production Code	HP24B/H-BK-2H
mark	number	Changes file number		signature	date		Material Code	
design			standard.			sale	edition	weight
drawing								quantity
audit							Name	
process			approval					厦门唯恩电气有限公司 XIAMEN WAIN ELECTRICAL CO.LTD

Filing clerk
date

1 2 3 4 5 6

D
C
B
A



					surface		Drawing	
					material		Production Code	HP24B/H-TEH-2S-M40
mark	number	Changes file number	signature	date	sale	edition	weight	quantity
design			standard.					
drawing								
audit								
process			approval					
								厦门唯恩电气有限公司 XIAMEN WAIN ELECTRICAL CO.LTD

1 2 3 4 5 6