

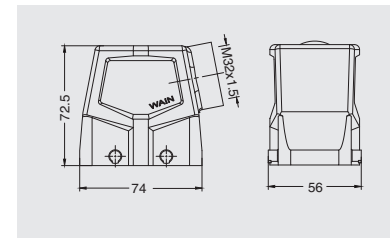
10B Plastic hoods/housings

Degree of protection: IP65

Hoods, side entry, high construction



Thread	Designation	Order No.
M32	H10B.P-SEH-4B-M32	03P10381410

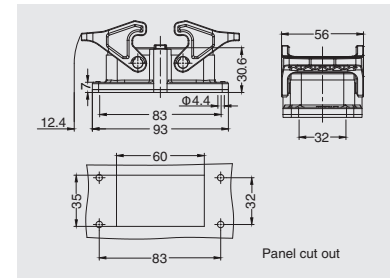


H

Housings, bulkhead mounting



Thread	Designation	Order No.
---	H10B.P-BK-2L	03P10020010



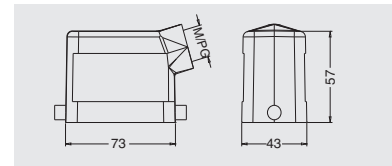
10B Metal hoods/housings

Degree of protection: IP65

Hoods, side entry



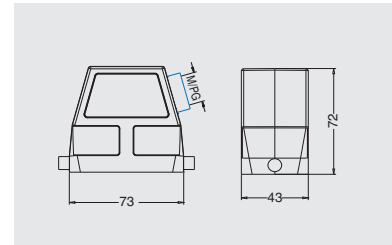
Thread	Designation	Order No.
M20	H10B-SE-2B-M20	03010141210
PG16	H10B-SE-2B-PG16	03010143510



Hoods, side entry, high construction



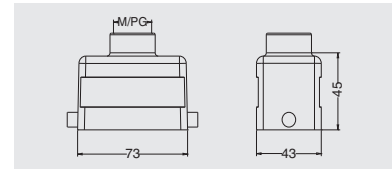
Thread	Designation	Order No.
M25	H10B-SEH-2B-M25	03010341310
M32	H10B-SEH-2B-M32	03010341410
PG21	H10B-SEH-2B-PG21	03010343610
PG29	H10B-SEH-2B-PG29	03010343710
M25	H10B-SEH-2B-M25 WS	03010341330
M32	H10B-SEH-2B-M32 WS	03010341430
PG21	H10B-SEH-2B-PG21 WS	03010343630
PG29	H10B-SEH-2B-PG29 WS	03010343730



Hoods, top entry



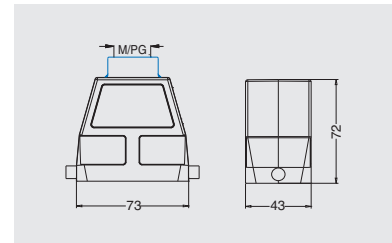
Thread	Designation	Order No.
M20	H10B-TE-2B-M20	03010241210
PG16	H10B-TE-2B-PG16	03010243510



Hoods, top entry, high construction



Thread	Designation	Order No.
M25	H10B-TEH-2B-M25	03010441310
M32	H10B-TEH-2B-M32	03010441410
PG21	H10B-TEH-2B-PG21	03010443610
PG29	H10B-TEH-2B-PG29	03010443710
M25	H10B-TEH-2B-M25 WS	03010441330
M32	H10B-TEH-2B-M32 WS	03010441430
PG21	H10B-TEH-2B-PG21 WS	03010443630
PG29	H10B-TEH-2B-PG29 WS	03010443730

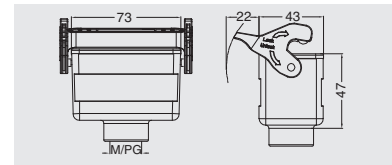


Housings, cable to cable



Thread	Designation	Order No.
M20	H10B-CCT-1L/PSR-M20	03010711252
PG16	H10B-CCT-1L/PSR-PG16	03010713552

Please refer to page 16-02 for choosing proper model of lock.

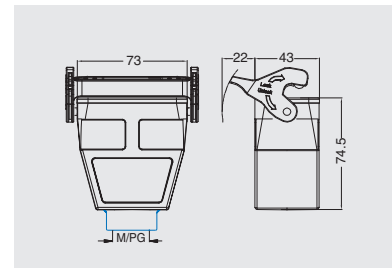


Housings, cable to cable  
high construction



Thread	Designation	Order No.
M25	H10B-CCTH-1L/PSR-M25	03010811352
M32	H10B-CCTH-1L/PSR-M32	03010811452
PG21	H10B-CCTH-1L/PSR-PG21	03010813652
PG29	H10B-CCTH-1L/PSR-PG29	03010813752
M25	H10B-CCTH-1L/PSR-M25 WS	03010811372
M32	H10B-CCTH-1L/PSR-M32 WS	03010811472
PG21	H10B-CCTH-1L/PSR-PG21 WS	03010813672
PG29	H10B-CCTH-1L/PSR-PG29 WS	03010813772

Please refer to page 16-02 for choosing proper model of lock.

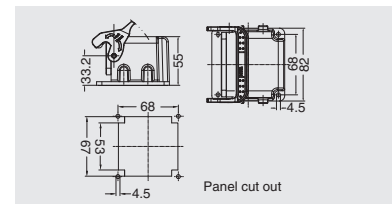


Housings, bulkhead mounting



Thread	Designation	Order No.
---	H10B-BK-SE-1L/PSR	03010090052

Please refer to page 16-02 for choosing proper model of lock.



10B Metal hoods/housings

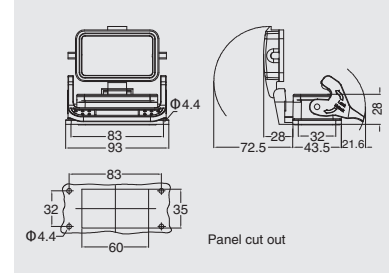
Degree of protection : IP65

Housings, bulkhead mounting



Thread	Designation	Order No.
---	H10B-BK-1L/PSR with plastic cover	03010010052
---	H10B-BK-1L/PSR-CV with metal cover	03010010063
---	H10B-BK-1L/PSR-MCV	03010010062

Please refer to page 16-02 for choosing proper model of lock.

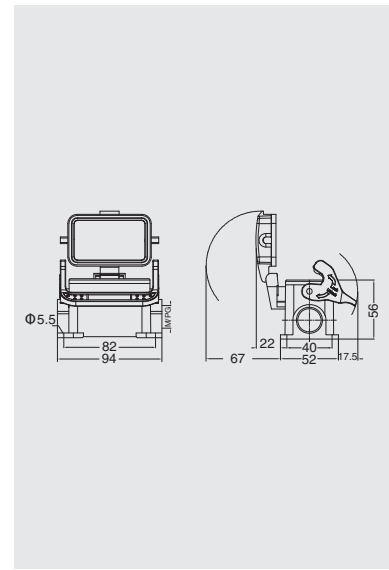


Housings, surface mounting



Thread	Designation	Order No.
M20	H10B-SF-1L/PSR-M20	03010511252
2M20	H10B-SF-1L/PSR-2M20	03010516252
M25	H10B-SF-1L/PSR-M25	03010511352
2M25	H10B-SF-1L/PSR-2M25	03010516352
PG16	H10B-SF-1L/PSR-PG16	03010513552
2PG16	H10B-SF-1L/PSR-2PG16	03010518552
with plastic cover		
M20	H10B-SF-1L/PSR-CV-M20	03010511263
2M20	H10B-SF-1L/PSR-CV-2M20	03010516263
M25	H10B-SF-1L/PSR-CV-M25	03010511363
2M25	H10B-SF-1L/PSR-CV-2M25	03010516363
PG16	H10B-SF-1L/PSR-CV-PG16	03010513592
2PG16	H10B-SF-1L/PSR-CV-2PG16	03010518563
with metal cover		
M20	H10B-SF-1L/PSR-MCV-M20	03010511264
2M20	H10B-SF-1L/PSR-MCV-2M20	03010516264
M25	H10B-SF-1L/PSR-MCV-M25	03010511393
2M25	H10B-SF-1L/PSR-MCV-2M25	03010516364
PG16	H10B-SF-1L/PSR-MCV-PG16	03010513593
2PG16	H10B-SF-1L/PSR-MCV-2PG16	03010518564

Please refer to page 16-02 for choosing proper model of lock.



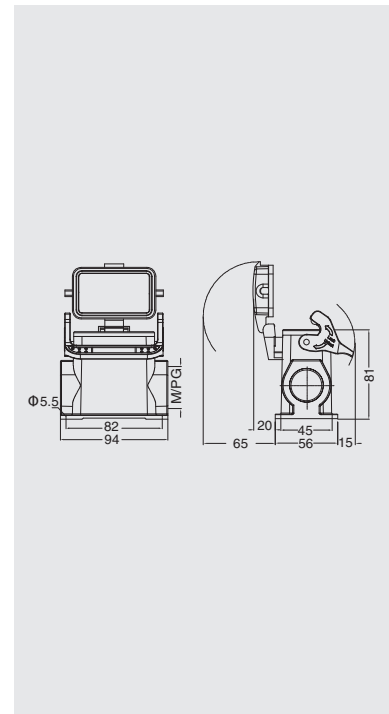
Housings, surface mounting

high construction



Thread	Designation	Order No.
M25	H10B-SFH-1L/PSR-M25	03010611352
2M25	H10B-SFH-1L/PSR-2M25	03010616352
M32	H10B-SFH-1L/PSR-M32	03010611452
2M32	H10B-SFH-1L/PSR-2M32	03010616452
PG21	H10B-SFH-1L/PSR-PG21	03010613652
2PG21	H10B-SFH-1L/PSR-2PG21	03010618652
PG29	H10B-SFH-1L/PSR-PG29	03010613752
2PG29	H10B-SFH-1L/PSR-2PG29	03010618752
with plastic cover		
M25	H10B-SFH-1L/PSR-CV-M25	03010611363
2M25	H10B-SFH-1L/PSR-CV-2M25	03010616363
M32	H10B-SFH-1L/PSR-CV-M32	03010611463
2M32	H10B-SFH-1L/PSR-CV-2M32	03010616463
PG21	H10B-SFH-1L/PSR-CV-PG21	03010613663
2PG21	H10B-SFH-1L/PSR-CV-2PG21	03010618663
PG29	H10B-SFH-1L/PSR-CV-PG29	03010613763
2PG29	H10B-SFH-1L/PSR-CV-2PG29	03010618763
with metal cover		
M25	H10B-SFH-1L/PSR-MCV-M25	03010611364
2M25	H10B-SFH-1L/PSR-MCV-2M25	03010616364
M32	H10B-SFH-1L/PSR-MCV-M32	03010611464
2M32	H10B-SFH-1L/PSR-MCV-2M32	03010616464
PG21	H10B-SFH-1L/PSR-MCV-PG21	03010613664
2PG21	H10B-SFH-1L/PSR-MCV-2PG21	03010618664
PG29	H10B-SFH-1L/PSR-MCV-PG29	03010613764
2PG29	H10B-SFH-1L/PSR-MCV-2PG29	03010618764

Please refer to page 16-02 for choosing proper model of lock.



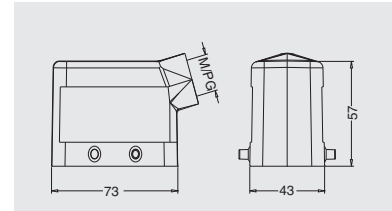
# 10B Metal hoods/housings

Degree of protection : IP65

## Hoods, side entry



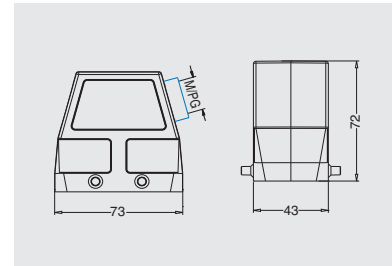
Thread	Designation	Order No.
M20	H10B-SE-4B-M20	03010181210
PG16	H10B-SE-4B-PG16	03010183510



## Hoods, side entry, high construction



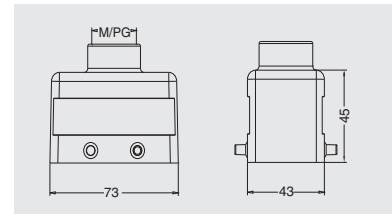
Thread	Designation	Order No.
M25	H10B-SEH-4B-M25	03010381310
M32	H10B-SEH-4B-M32	03010381410
PG21	H10B-SEH-4B-PG21	03010383610
PG29	H10B-SEH-4B-PG29	03010383710
M25	H10B-SEH-4B-M25 <i>WS</i>	03010381330
M32	H10B-SEH-4B-M32 <i>WS</i>	03010381430
PG21	H10B-SEH-4B-PG21 <i>WS</i>	03010383630
PG29	H10B-SEH-4B-PG29 <i>WS</i>	03010383730



## Hoods, top entry



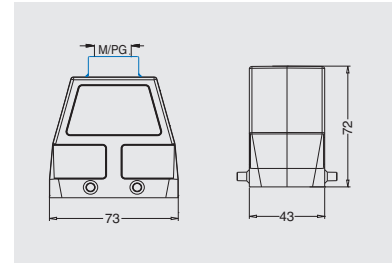
Thread	Designation	Order No.
M20	H10B-TE-4B-M20	03010281210
PG16	H10B-TE-4B-PG16	03010283510



## Hoods, top entry, high construction



Thread	Designation	Order No.
M25	H10B-TEH-4B-M25	03010481310
M32	H10B-TEH-4B-M32	03010481410
PG21	H10B-TEH-4B-PG21	03010483610
PG29	H10B-TEH-4B-PG29	03010483710
M25	H10B-TEH-4B-M25 <i>WS</i>	03010481330
M32	H10B-TEH-4B-M32 <i>WS</i>	03010481430
PG21	H10B-TEH-4B-PG21 <i>WS</i>	03010483630
PG29	H10B-TEH-4B-PG29 <i>WS</i>	03010483730

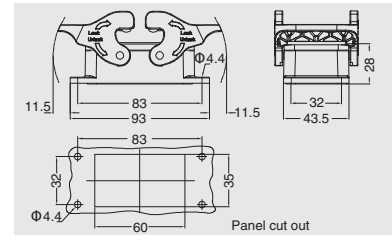


## Housings, bulkhead mounting



Thread	Designation	Order No.
—	H10B-BK-2L/PSR	03010020052

Please refer to page 16-02 for choosing proper model of lock.

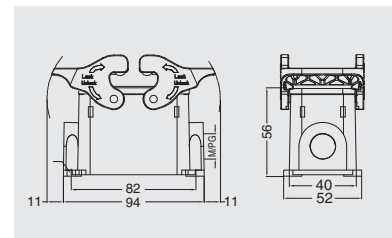


## Housings, surface mounting



Thread	Designation	Order No.
M20	H10B-SF-2L/PSR-M20	03010521252
2M20	H10B-SF-2L/PSR-2M20	03010526252
M25	H10B-SF-2L/PSR-M25	03010521352
2M25	H10B-SF-2L/PSR-2M25	03010526352
PG16	H10B-SF-2L/PSR-PG16	03010523552
2PG16	H10B-SF-2L/PSR-2PG16	03010528552

Please refer to page 16-02 for choosing proper model of lock.



## 10B Metal hoods/housings

Degree of protection: IP65

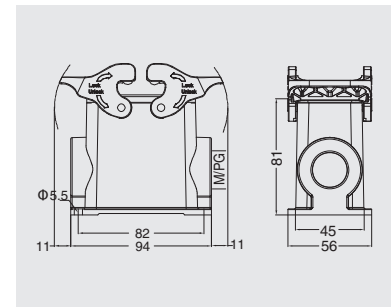
### Housings, surface mounting

#### high construction



Thread	Designation	Order No.
M25	H10B-SFH-2L/PSR-M25	03010621352
2M25	H10B-SFH-2L/PSR-2M25	03010626352
M32	H10B-SFH-2L/PSR-M32	03010621452
2M32	H10B-SFH-2L/PSR-2M32	03010626452
PG21	H10B-SFH-2L/PSR-PG21	03010623652
2PG21	H10B-SFH-2L/PSR-2PG21	03010628652
PG29	H10B-SFH-2L/PSR-PG29	03010623752
2PG29	H10B-SFH-2L/PSR-2PG29	03010628752

Please refer to page 16-02 for choosing proper model of lock.

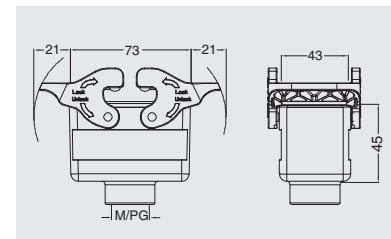


#### Housings, cable to cable



Thread	Designation	Order No.
M20	H10B-CCT-2L/PSR-M20	03010721252
PG16	H10B-CCT-2L/PSR-PG16	03010723552

Please refer to page 16-02 for choosing proper model of lock.



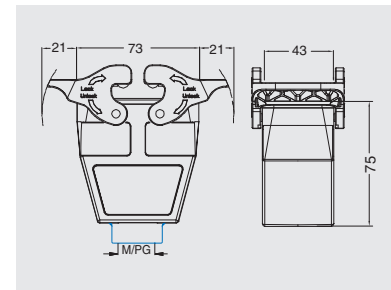
#### Housings, cable to cable

#### high construction



Thread	Designation	Order No.
M25	H10B-CCTH-2L/PSR-M25	03010821352
M32	H10B-CCTH-2L/PSR-M32	03010821452
PG21	H10B-CCTH-2L/PSR-PG21	03010823652
PG29	H10B-CCTH-2L/PSR-PG29	03010823752
	with sleeve	
M25	H10B-CCTH-2L/PSR-M25 WS	03010821372
M32	H10B-CCTH-2L/PSR-M32 WS	03010821472
PG21	H10B-CCTH-2L/PSR-PG21 WS	03010823672
PG29	H10B-CCTH-2L/PSR-PG29 WS	03010823772

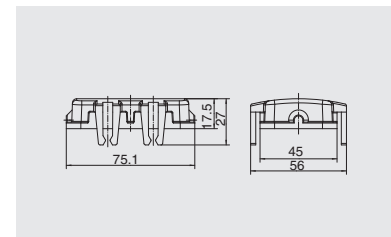
Please refer to page 16-02 for choosing proper model of lock.



### Protection covers, plastic



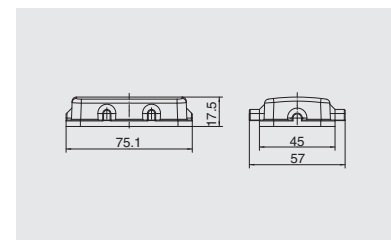
Connect way	Application	Designation	Order No.
---	for hoods	H10B-CV-4C	08221223000



### Protection covers, plastic



Connect way	Application	Designation	Order No.
	for hoods	H10B-CV-4B/1	08221222010
	for housings	H10B-CV-4B/2	08221222020



# 10B Metal hoods/housings

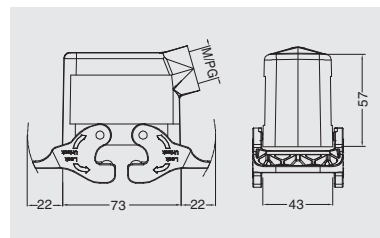
Degree of protection: IP65

## Hoods, side entry



Thread	Designation	Order No.
M20	H10B-SE-2L/PSR-M20	03010121252
PG16	H10B-SE-2L/PSR-PG16	03010123552

Please refer to page 16-02 for choosing proper model of lock.

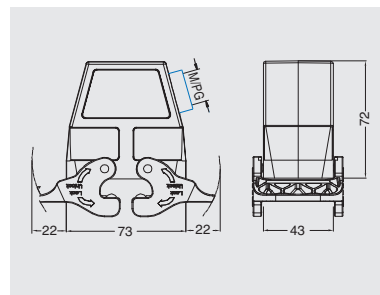


## Hoods, side entry, high construction



Thread	Designation	Order No.
M25	H10B-SEH-2L/PSR-M25	03010321352
M32	H10B-SEH-2L/PSR-M32	03010321452
PG21	H10B-SEH-2L/PSR-PG21	03010323652
PG29	H10B-SEH-2L/PSR-PG29	03010323752
	with sleeve	
M25	H10B-SEH-2L/PSR-M25 WS	03010321372
M32	H10B-SEH-2L/PSR-M32 WS	03010321472
PG21	H10B-SEH-2L/PSR-PG21 WS	03010323672
PG29	H10B-SEH-2L/PSR-PG29 WS	03010323772

Please refer to page 16-02 for choosing proper model of lock.

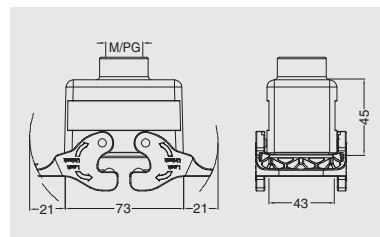


## Hoods, top entry



Thread	Designation	Order No.
M20	H10B-TE-2L/PSR-M20	03010221252
PG16	H10B-TE-2L/PSR-PG16	03010223552

Please refer to page 16-02 for choosing proper model of lock.

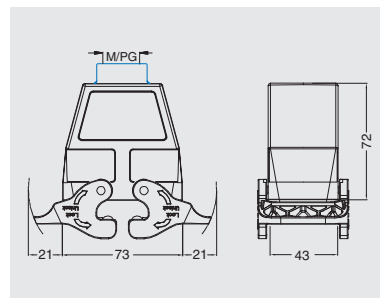


## Hoods, top entry, high construction



Thread	Designation	Order No.
M25	H10B-TEH-2L/PSR-M25	03010421352
M32	H10B-TEH-2L/PSR-M32	03010421452
PG21	H10B-TEH-2L/PSR-PG21	03010423652
PG29	H10B-TEH-2L/PSR-PG29	03010423752
	with sleeve	
M25	H10B-TEH-2L/PSR-M25 WS	03010421372
M32	H10B-TEH-2L/PSR-M32 WS	03010421472
PG21	H10B-TEH-2L/PSR-PG21 WS	03010423672
PG29	H10B-TEH-2L/PSR-PG29 WS	03010423772

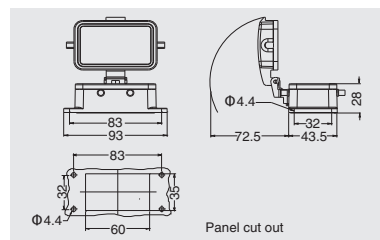
Please refer to page 16-02 for choosing proper model of lock.



## Housings, bulkhead mounting



Thread	Designation	Order No.
---	H10B-BK-4B	03010080010
	with plastic cover	
---	H10B-BK-4B-CV	03010080020
	with metal cover	
---	H10B-BK-4B-MCV	03010080021



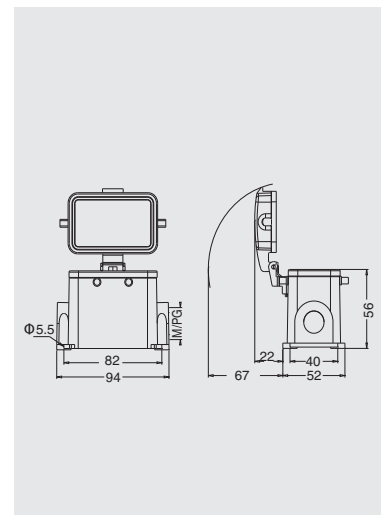
10B Metal hoods/housings

Degree of protection: IP65

Housings, surface mounting



Thread	Designation	Order No.
M20	H10B-SF-4B-M20	03010581210
2M20	H10B-SF-4B-2M20	03010586210
M25	H10B-SF-4B-M25	03010581310
2M25	H10B-SF-4B-2M25	03010586310
PG16	H10B-SF-4B-PG16	03010583510
2PG16	H10B-SF-4B-2PG16	03010588510
with plastic cover		
M20	H10B-SF-4B-CV-M20	03010581260
2M20	H10B-SF-4B-CV-2M20	03010586260
M25	H10B-SF-4B-CV-M25	03010581360
2M25	H10B-SF-4B-CV-2M25	03010586360
PG16	H10B-SF-4B-CV-PG16	03010583560
2PG16	H10B-SF-4B-CV-2PG16	03010588560
with metal cover		
M20	H10B-SF-4B-MCV-M20	03010581261
2M20	H10B-SF-4B-MCV-2M20	03010586261
M25	H10B-SF-4B-MCV-M25	03010581361
2M25	H10B-SF-4B-MCV-2M25	03010586361
PG16	H10B-SF-4B-MCV-PG16	03010583561
2PG16	H10B-SF-4B-MCV-2PG16	03010588561

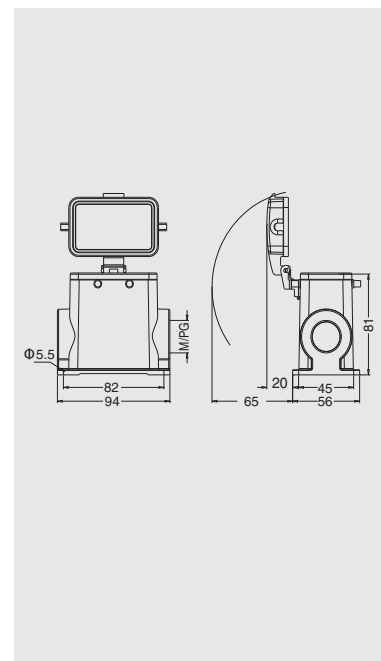


Housings, surface mounting

high construction



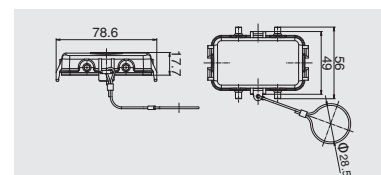
Thread	Designation	Order No.
M25	H10B-SFH-4B-M25	03010681310
2M25	H10B-SFH-4B-2M25	03010686310
M32	H10B-SFH-4B-M32	03010681410
2M32	H10B-SFH-4B-2M32	03010686410
PG21	H10B-SFH-4B-PG21	03010683610
2PG21	H10B-SFH-4B-2PG21	03010688610
PG29	H10B-SFH-4B-PG29	03010683710
2PG29	H10B-SFH-4B-2PG29	03010688720
with plastic cover		
M25	H10B-SFH-4B-CV-M25	03010681360
2M25	H10B-SFH-4B-CV-2M25	03010686360
M32	H10B-SFH-4B-CV-M32	03010681460
2M32	H10B-SFH-4B-CV-2M32	03010686460
PG21	H10B-SFH-4B-CV-PG21	03010683660
2PG21	H10B-SFH-4B-CV-2PG21	03010688660
PG29	H10B-SFH-4B-CV-PG29	03010683760
2PG29	H10B-SFH-4B-CV-2PG29	03010688760
with metal cover		
M25	H10B-SFH-4B-MCV-M25	03010681361
2M25	H10B-SFH-4B-MCV-2M25	03010686361
M32	H10B-SFH-4B-MCV-M32	03010681461
2M32	H10B-SFH-4B-MCV-2M32	03010686461
PG21	H10B-SFH-4B-MCV-PG21	03010683661
2PG21	H10B-SFH-4B-MCV-2PG21	03010688661
PG29	H10B-SFH-4B-MCV-PG29	03010683761
2PG29	H10B-SFH-4B-MCV-2PG29	03010688761



Protection covers, metal



Connect way	Application	Designation	Order No.
	for hoods	H10B-MCV-4B/1	03010398011
	for housings	H10B-MCV-4B/2	03010398021

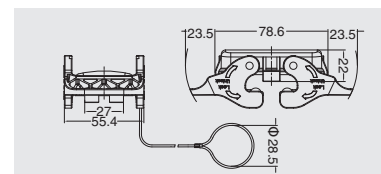


Protection covers, metal



Connect way	Application	Designation	Order No.
	for hoods	H10B-MCV-2L/PSR.1S	03010392052
	for housings	H10B-MCV-2L/PSR.2	03010392053

Please refer to page 16-02 for choosing proper model of lock.

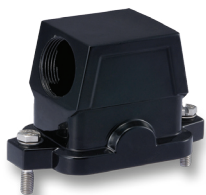


# 10B Pressure tight hoods/housings

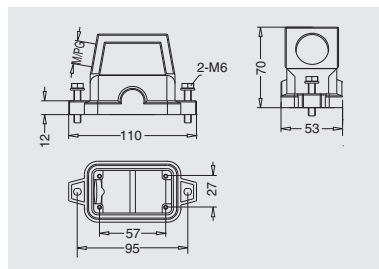
Degree of protection: IP68

W version

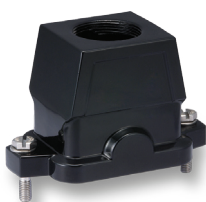
Hoods, side entry, high construction



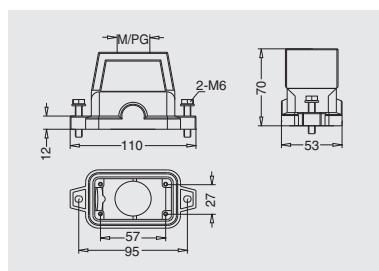
Thread	Designation	Order No.
M20	HP10B-SEH-2S-M20	04010351202
M25	HP10B-SEH-2S-M25	04010351302
M32	HP10B-SEH-2S-M32	04010351402
PG16	HP10B-SEH-2S-PG16	04010353502
PG21	HP10B-SEH-2S-PG21	04010353602



Hoods, top entry, high construction



Thread	Designation	Order No.
M20	HP10B-TEH-2S-M20	04010451202
M25	HP10B-TEH-2S-M25	04010451302
M32	HP10B-TEH-2S-M32	04010451402
PG16	HP10B-TEH-2S-PG16	04010453502
PG21	HP10B-TEH-2S-PG21	04010453602
PG29	HP10B-TEH-2S-PG29	04010453702

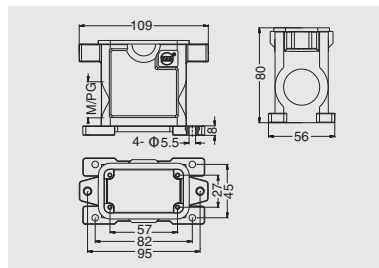


Housings, surface mounting

high construction



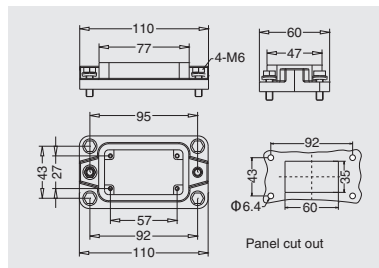
Thread	Designation	Order No.
M20	HP10B-SFH-2H-M20	04010551202
M25	HP10B-SFH-2H-M25	04010611302
M32	HP10B-SFH-2H-M32	04010611402
PG16	HP10B-SFH-2H-PG16	04010553502
PG21	HP10B-SFH-2H-PG21	04010553602



Housings, bulkhead mounting



Thread	Designation	Order No.
--	HP10B-BK-2H	04010050002





10B Pressure tight hoods/housings

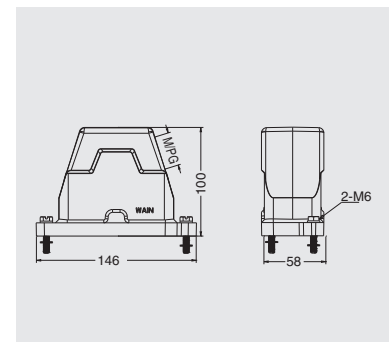
Degree of protection: IP68

H version

Hoods, side entry, high construction



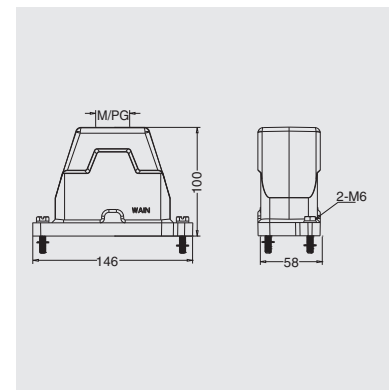
Thread	Designation	Order No.
	Screw locking	
M20	HP10B/H-SEH-2S-M20	04110351202
M25	HP10B/H-SEH-2S-M25	04110351302
M32	HP10B/H-SEH-2S-M32	04110351402
PG16	HP10B/H-SEH-2S-PG16	04110353502
PG21	HP10B/H-SEH-2S-PG21	04110353602
	Toggle locking	
M20	HP10B/H-SEH-2T-M20	04210351202
M25	HP10B/H-SEH-2T-M25	04210351302
M32	HP10B/H-SEH-2T-M32	04210351402
PG16	HP10B/H-SEH-2T-PG16	04210353502
PG21	HP10B/H-SEH-2T-PG21	04210353602



Hoods, top entry, high construction



Thread	Designation	Order No.
	Screw locking	
M20	HP10B/H-TEH-2S-M20	04110451202
M25	HP10B/H-TEH-2S-M25	04110451302
M32	HP10B/H-TEH-2S-M32	04110451402
PG16	HP10B/H-TEH-2S-PG16	04110453502
PG21	HP10B/H-TEH-2S-PG21	04110453602
PG29	HP10B/H-TEH-2S-PG29	04110453702
	Toggle locking	
M20	HP10B/H-TEH-2T-M20	04210451202
M25	HP10B/H-TEH-2T-M25	04210451302
M32	HP10B/H-TEH-2T-M32	04210451402
PG16	HP10B/H-TEH-2T-PG16	04210453502
PG21	HP10B/H-TEH-2T-PG21	04210453602
PG29	HP10B/H-TEH-2T-PG29	04210453702

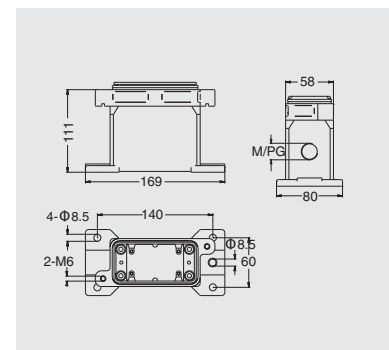


Housings, surface mounting

high construction



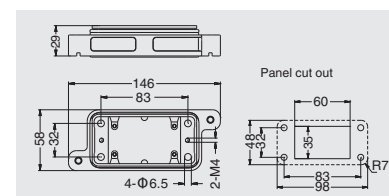
Thread	Designation	Order No.
	Screw locking	
M20	HP10B/H-SFH-2H-M20	04110611202
M25	HP10B/H-SFH-2H-M25	04110611302
M32	HP10B/H-SFH-2H-M32	04110611402
PG16	HP10B/H-SFH-2H-PG16	04110613502
PG21	HP10B/H-SFH-2H-PG21	04110613602
	Screw locking	
M20	HP10B/H-SFH-2T-M20	04210611202
M25	HP10B/H-SFH-2T-M25	04210611302
M32	HP10B/H-SFH-2T-M32	04210611402
PG16	HP10B/H-SFH-2T-PG16	04210613502
PG21	HP10B/H-SFH-2T-PG21	04210613602



Housings, bulkhead mounting



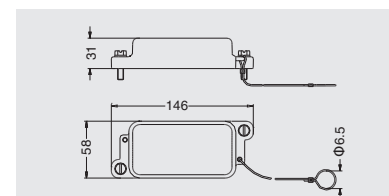
Thread	Designation	Order No.
	Screw locking	
---	HP10B/H-BK-2H	04110050002
	Toggle locking	
---	HP10B/H-BK-2T	04210050002



Protection covers



Thread	Designation	Order No.
	Screw locking	
---	HP10B/H-MCV-2S	04110390002
	Toggle locking	
---	HP10B/H-MCV-2T	04210390002

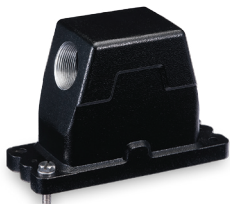


# 10B Pressure tight hoods/housings

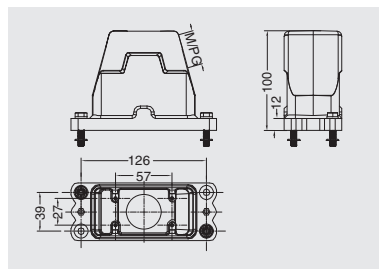
Degree of protection: IP68

H version

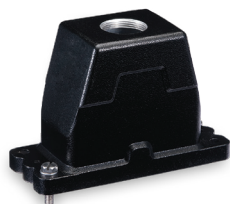
Hoods, side entry, high construction



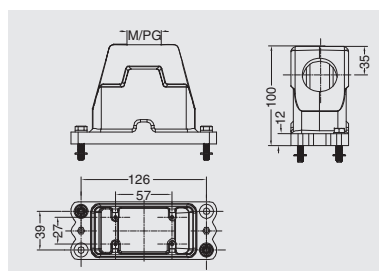
Thread	Designation	Order No.
M20	HP10B/H-SEH-4S-M20	04110361202
M25	HP10B/H-SEH-4S-M25	04110361302
M32	HP10B/H-SEH-4S-M32	04110361402
M40	HP10B/H-SEH-4S-M40	04110361502
PG16	HP10B/H-SEH-4S-PG16	04110363502
PG21	HP10B/H-SEH-4S-PG21	04110363602



Hoods, top entry, high construction



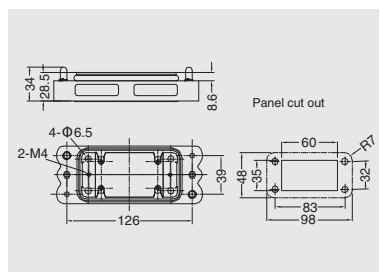
Thread	Designation	Order No.
M20	HP10B/H-TEH-4S-M20	04110461202
M25	HP10B/H-TEH-4S-M25	04110461302
M32	HP10B/H-TEH-4S-M32	04110461402
M40	HP10B/H-TEH-4S-M40	04110461502
PG16	HP10B/H-TEH-4S-PG16	04110463502
PG21	HP10B/H-TEH-4S-PG21	04110463602
PG29	HP10B/H-TEH-4S-PG29	04110463702



Housings, bulkhead mounting



Thread	Designation	Order No.
---	HP10B/H-BK-4H	04110060002



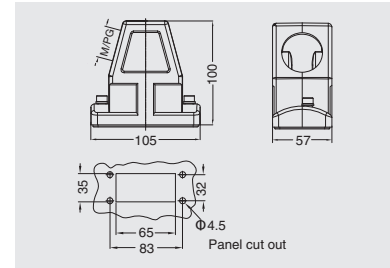
10B Pressure tight hoods/housings

Degree of protection: IP68

Hoods, side entry, high construction



Thread	Designation	Order No.
M25	HC10B-SEH-2S-M25	04210351301
M32	HC10B-SEH-2S-M32	04210351401
PG16	HC10B-SEH-2S-PG16	04210353501
PG21	HC10B-SEH-2S-PG21	04210353601

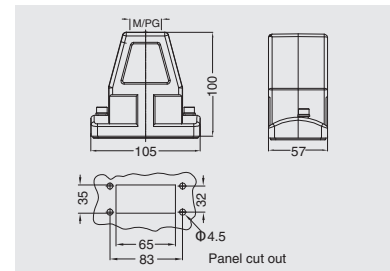


H

Hoods, top entry, high construction



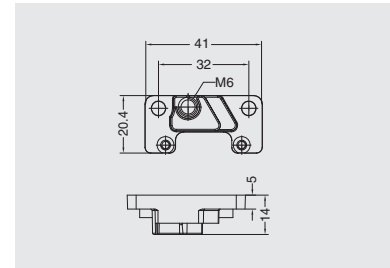
Thread	Designation	Order No.
M25	HC10B-TEH-2S-M25	04210451301
M32	HC10B-TEH-2S-M32	04210451401
PG16	HC10B-TEH-2S-PG16	04210453501
PG21	HC10B-TEH-2S-PG21	04210453601



Protection covers



Application	Designation	Order No.
for integral type hoods	APT-C	08139140000



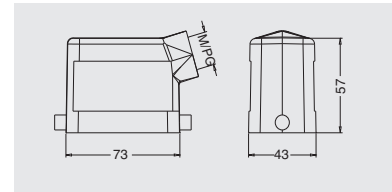
HV10B Metal hoods/housings  
- for high voltage inserts(HVE Series)

Degree of protection: IP65

Hoods, side entry



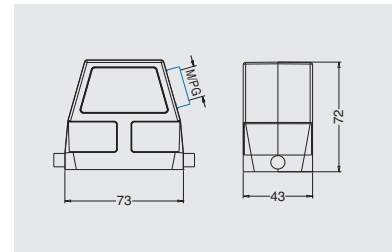
Thread	Designation	Order No.
M20	HV10B-SE-2B-M20	05010141210
PG16	HV10B-SE-2B-PG16	05010143510



Hoods, side entry, high construction



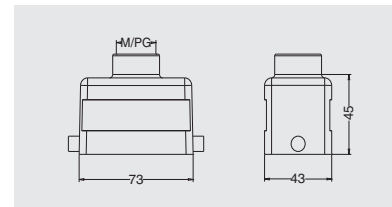
Thread	Designation	Order No.
M25	HV10B-SEH-2B-M25	05010341310
M32	HV10B-SEH-2B-M32	05010341410
PG21	HV10B-SEH-2B-PG21	05010343610
PG29	HV10B-SEH-2B-PG29	05010343710
	with sleeve	
M25	HV10B-SEH-2B-M25 WS	05010341330
M32	HV10B-SEH-2B-M32 WS	05010341430
PG21	HV10B-SEH-2B-PG21 WS	05010343630
PG29	HV10B-SEH-2B-PG29 WS	05010343730



Hoods, top entry



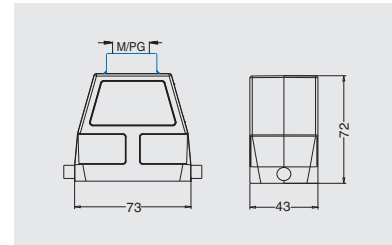
Thread	Designation	Order No.
M20	HV10B-TE-2B-M20	05010241210
PG16	HV10B-TE-2B-PG16	05010243510



Hoods, top entry, high construction



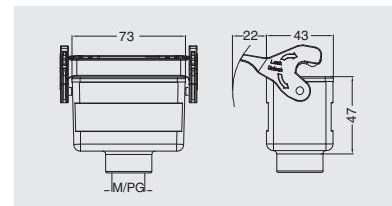
Thread	Designation	Order No.
M25	HV10B-TEH-2B-M25	05010441310
M32	HV10B-TEH-2B-M32	05010441410
PG21	HV10B-TEH-2B-PG21	05010443610
PG29	HV10B-TEH-2B-PG29	05010443710
	with sleeve	
M25	HV10B-TEH-2B-M25 WS	05010441330
M32	HV10B-TEH-2B-M32 WS	05010441430
PG21	HV10B-TEH-2B-PG21 WS	05010443630
PG29	HV10B-TEH-2B-PG29 WS	05010443730



Housings, cable to cable



Thread	Designation	Order No.
M20	HV10B-CCT-1L/PSR-M20	05010711252
PG16	HV10B-CCT-1L/PSR-PG16	05010713552



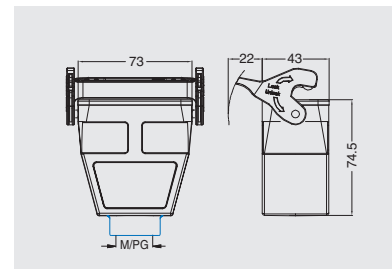
Please refer to page 16-02 for choosing proper model of lock.

Housings, cable to cable

high construction



Thread	Designation	Order No.
M25	HV10B-CCTH-1L/PSR-M25	05010811352
M32	HV10B-CCTH-1L/PSR-M32	05010811452
PG21	HV10B-CCTH-1L/PSR-PG21	05010813652
PG29	HV10B-CCTH-1L/PSR-PG29	05010813752
	with sleeve	
M25	HV10B-CCTH-1L/PSR-M25 WS	05010811372
M32	HV10B-CCTH-1L/PSR-M32 WS	05010811472
PG21	HV10B-CCTH-1L/PSR-PG21 WS	05010813672
PG29	HV10B-CCTH-1L/PSR-PG29 WS	05010813772



Please refer to page 16-02 for choosing proper model of lock.

HV10B Metal hoods/housings  
- for high voltage inserts(HVE Series)

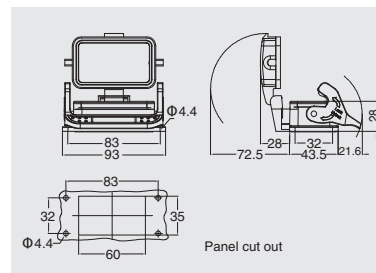
Degree of protection: IP65

Housings, bulkhead mounting



Thread	Designation	Order No.
---	HV10B-BK-1L/PSR with plastic cover	05010010052
---	HV10B-BK-1L/PSR-CV with metal cover	05010010063
---	HV10B-BK-1L/PSR-MCV	05010010062

Please refer to page 16-02 for choosing proper model of lock.

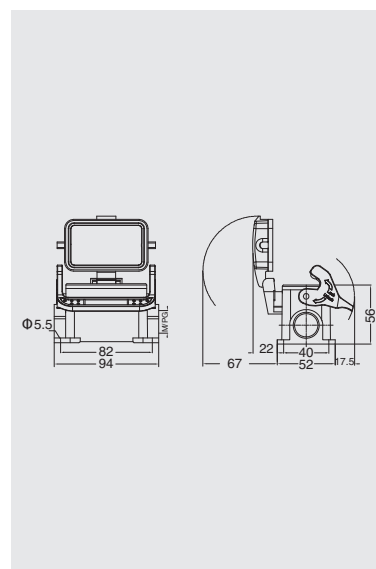


Housings, surface mounting



Thread	Designation	Order No.
M20	HV10B-SF-1L/PSR-M20	05010511252
2M20	HV10B-SF-1L/PSR-2M20	05010516252
M25	HV10B-SF-1L/PSR-M25	05010511352
2M25	HV10B-SF-1L/PSR-2M25	05010516352
PG16	HV10B-SF-1L/PSR-PG16	05010513552
2PG16	HV10B-SF-1L/PSR-2PG16	05010518552
with plastic cover		
M20	HV10B-SF-1L/PSR-CV-M20	05010511263
2M20	HV10B-SF-1L/PSR-CV-2M20	05010516263
M25	HV10B-SF-1L/PSR-CV-M25	05010511363
2M25	HV10B-SF-1L/PSR-CV-2M25	05010516363
PG16	HV10B-SF-1L/PSR-CV-PG16	05010513592
2PG16	HV10B-SF-1L/PSR-CV-2PG16	05010518563
with metal cover		
M20	HV10B-SF-1L/PSR-MCV-M20	05010511264
2M20	HV10B-SF-1L/PSR-MCV-2M20	05010516264
M25	HV10B-SF-1L/PSR-MCV-M25	05010511393
2M25	HV10B-SF-1L/PSR-MCV-2M25	05010516364
PG16	HV10B-SF-1L/PSR-MCV-PG16	05010513593
2PG16	HV10B-SF-1L/PSR-MCV-2PG16	05010518564

Please refer to page 16-02 for choosing proper model of lock.



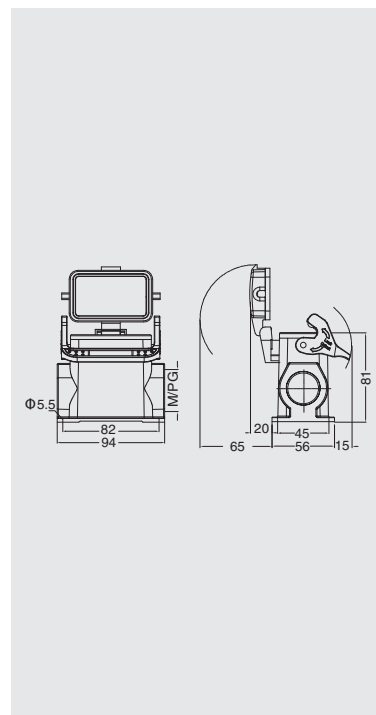
Housings, surface mounting

high construction



Thread	Designation	Order No.
M25	HV10B-SFH-1L/PSR-M25	05010611352
2M25	HV10B-SFH-1L/PSR-2M25	05010616352
M32	HV10B-SFH-1L/PSR-M32	05010611452
2M32	HV10B-SFH-1L/PSR-2M32	05010616452
PG21	HV10B-SFH-1L/PSR-PG21	05010613652
2PG21	HV10B-SFH-1L/PSR-2PG21	05010618652
PG29	HV10B-SFH-1L/PSR-PG29	05010613752
2PG29	HV10B-SFH-1L/PSR-2PG29	05010618752
with plastic cover		
M25	HV10B-SFH-1L/PSR-CV-M25	05010611363
2M25	HV10B-SFH-1L/PSR-CV-2M25	05010616363
M32	HV10B-SFH-1L/PSR-CV-M32	05010611463
2M32	HV10B-SFH-1L/PSR-CV-2M32	05010616463
PG21	HV10B-SFH-1L/PSR-CV-PG21	05010613663
2PG21	HV10B-SFH-1L/PSR-CV-2PG21	05010618663
PG29	HV10B-SFH-1L/PSR-CV-PG29	05010613763
2PG29	HV10B-SFH-1L/PSR-CV-2PG29	05010618763
with metal cover		
M25	HV10B-SFH-1L/PSR-MCV-M25	05010611364
2M25	HV10B-SFH-1L/PSR-MCV-2M25	05010616364
M32	HV10B-SFH-1L/PSR-MCV-M32	05010611464
2M32	HV10B-SFH-1L/PSR-MCV-2M32	05010616464
PG21	HV10B-SFH-1L/PSR-MCV-PG21	05010613664
2PG21	HV10B-SFH-1L/PSR-MCV-2PG21	05010618664
PG29	HV10B-SFH-1L/PSR-MCV-PG29	05010613764
2PG29	HV10B-SFH-1L/PSR-MCV-2PG29	05010618764

Please refer to page 16-02 for choosing proper model of lock.



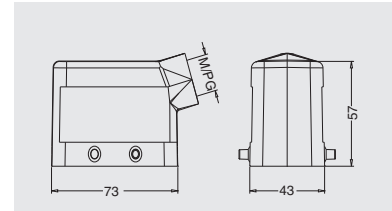
HV10B Metal hoods/housings  
- for high voltage inserts(HVE Series)

Degree of protection : IP65

Hoods, side entry



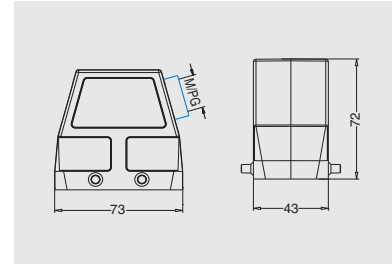
Thread	Designation	Order No.
M20	HV10B-SE-4B-M20	05010181210
PG16	HV10B-SE-4B-PG16	05010183510



Hoods, side entry, high construction



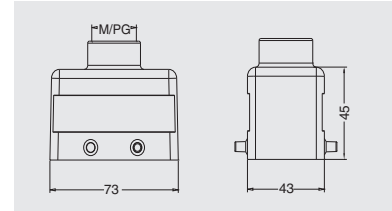
Thread	Designation	Order No.
M25	HV10B-SEH-4B-M25	05010381310
M32	HV10B-SEH-4B-M32	05010381410
PG21	HV10B-SEH-4B-PG21	05010383610
PG29	HV10B-SEH-4B-PG29	05010383710
	with sleeve	
M25	HV10B-SEH-4B-M25 <i>WS</i>	05010381330
M32	HV10B-SEH-4B-M32 <i>WS</i>	05010381430
PG21	HV10B-SEH-4B-PG21 <i>WS</i>	05010383630
PG29	HV10B-SEH-4B-PG29 <i>WS</i>	05010383730



Hoods, top entry



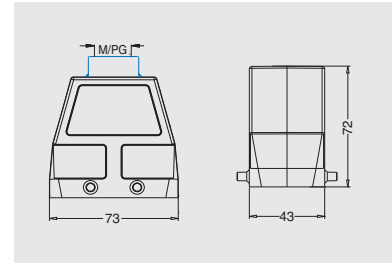
Thread	Designation	Order No.
M20	HV10B-TE-4B-M20	05010281210
PG16	HV10B-TE-4B-PG16	05010283510



Hoods, top entry, high construction



Thread	Designation	Order No.
M25	HV10B-TEH-4B-M25	05010481310
M32	HV10B-TEH-4B-M32	05010481410
PG21	HV10B-TEH-4B-PG21	05010483610
PG29	HV10B-TEH-4B-PG29	05010483710
	with sleeve	
M25	HV10B-TEH-4B-M25 <i>WS</i>	05010481330
M32	HV10B-TEH-4B-M32 <i>WS</i>	05010481430
PG21	HV10B-TEH-4B-PG21 <i>WS</i>	05010483630
PG29	HV10B-TEH-4B-PG29 <i>WS</i>	05010483730

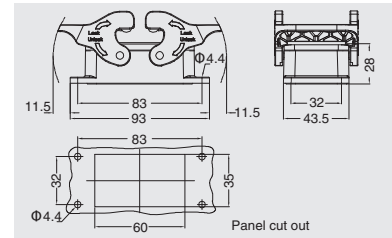


Housings, bulkhead mounting



Thread	Designation	Order No.
—	HV10B-BK-2L/PSR	05010020052

Please refer to page 16-02 for choosing proper model of lock.

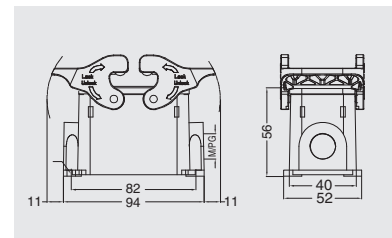


Housings, surface mounting



Thread	Designation	Order No.
M20	HV10B-SF-2L/PSR-M20	05010521252
2M20	HV10B-SF-2L/PSR-2M20	05010526252
M25	HV10B-SF-2L/PSR-M25	05010521352
2M25	HV10B-SF-2L/PSR-2M25	05010526352
PG16	HV10B-SF-2L/PSR-PG16	05010523552
2PG16	HV10B-SF-2L/PSR-2PG16	05010528552

Please refer to page 16-02 for choosing proper model of lock.



HV10B Metal hoods/housings  
- for high voltage inserts(HVE Series)

Degree of protection: IP65

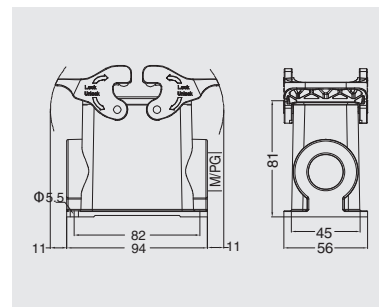
Housings, surface mounting

high construction



Thread	Designation	Order No.
M25	HV10B-SFH-2L/PSR-M25	05010621352
2M25	HV10B-SFH-2L/PSR-2M25	05010626352
M32	HV10B-SFH-2L/PSR-M32	05010621452
2M32	HV10B-SFH-2L/PSR-2M32	05010626452
PG21	HV10B-SFH-2L/PSR-PG21	05010623652
2PG21	HV10B-SFH-2L/PSR-2PG21	05010628652
PG29	HV10B-SFH-2L/PSR-PG29	05010623752
2PG29	HV10B-SFH-2L/PSR-2PG29	05010628752

Please refer to page 16-02 for choosing proper model of lock.

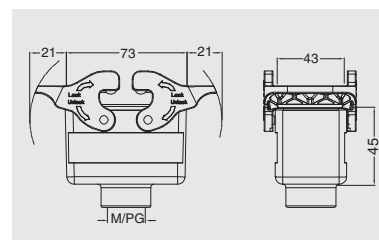


Housings, cable to cable



Thread	Designation	Order No.
M20	HV10B-CCT-2L/PSR-M20	05010721252
PG16	HV10B-CCT-2L/PSR-PG16	05010723552

Please refer to page 16-02 for choosing proper model of lock.



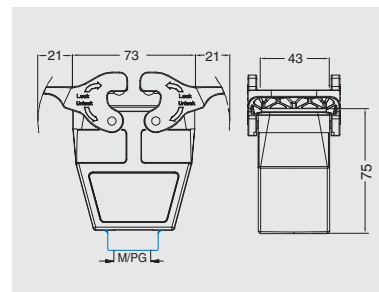
Housings, cable to cable

high construction



Thread	Designation	Order No.
M25	HV10B-CCTH-2L/PSR-M25	05010821352
M32	HV10B-CCTH-2L/PSR-M32	05010821452
PG21	HV10B-CCTH-2L/PSR-PG21	05010823652
PG29	HV10B-CCTH-2L/PSR-PG29	05010823752
M25	HV10B-CCTH-2L/PSR-M25 WS	05010821372
M32	HV10B-CCTH-2L/PSR-M32 WS	05010821472
PG21	HV10B-CCTH-2L/PSR-PG21 WS	05010823672
PG29	HV10B-CCTH-2L/PSR-PG29 WS	05010823772

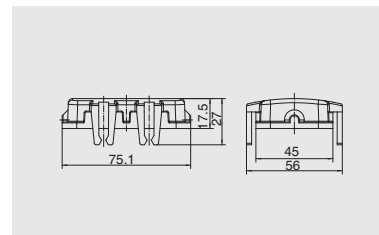
Please refer to page 16-02 for choosing proper model of lock.



Protection covers, plastic



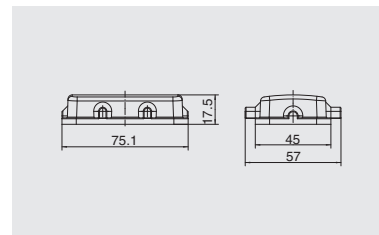
Connect way	Application	Designation	Order No.
---	for hoods	H10B-CV-4C	08221223000



Protection covers, plastic



Connect way	Application	Designation	Order No.
	for hoods	H10B-CV-4B/1	08221222010
	for housings	H10B-CV-4B/2	08221222020



HV10B Metal hoods/housings  
- for high voltage inserts(HVE Series)

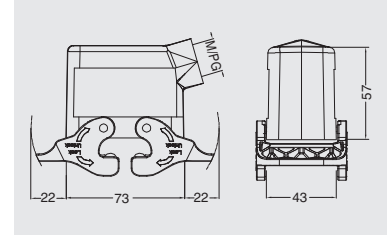
Degree of protection: IP65

Hoods, side entry



Thread	Designation	Order No.
M20	HV10B-SE-2L/PSR-M20	05010121252
PG16	HV10B-SE-2L/PSR-PG16	05010123552

Please refer to page 16-02 for choosing proper model of lock..

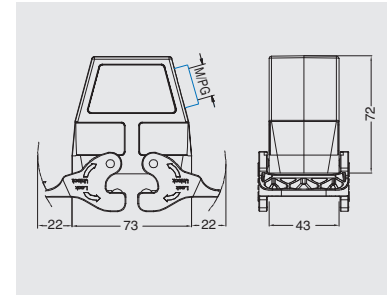


Hoods, side entry, high construction



Thread	Designation	Order No.
M25	HV10B-SEH-2L/PSR-M25	05010321352
M32	HV10B-SEH-2L/PSR-M32	05010321452
PG21	HV10B-SEH-2L/PSR-PG21	05010323652
PG29	HV10B-SEH-2L/PSR-PG29	05010323752
	with sleeve	
M25	HV10B-SEH-2L/PSR-M25 WS	05010321372
M32	HV10B-SEH-2L/PSR-M32 WS	05010321472
PG21	HV10B-SEH-2L/PSR-PG21 WS	05010323672
PG29	HV10B-SEH-2L/PSR-PG29 WS	05010323772

Please refer to page 16-02 for choosing proper model of lock.

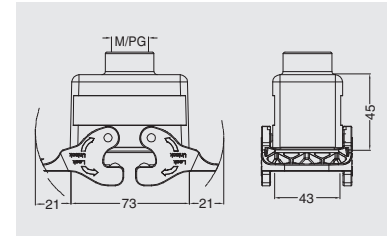


Hoods, top entry



Thread	Designation	Order No.
M20	HV10B-TE-2L/PSR-M20	05010221252
PG16	HV10B-TE-2L/PSR-PG16	05010223552

Please refer to page 16-02 for choosing proper model of lock.

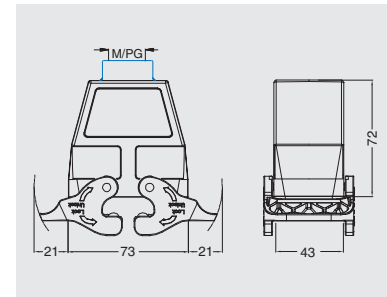


Hoods, top entry, high construction



Thread	Designation	Order No.
M25	HV10B-TEH-2L/PSR-M25	05010421352
M32	HV10B-TEH-2L/PSR-M32	05010421452
PG21	HV10B-TEH-2L/PSR-PG21	05010423652
PG29	HV10B-TEH-2L/PSR-PG29	05010423752
	with sleeve	
M25	HV10B-TEH-2L/PSR-M25 WS	05010421372
M32	HV10B-TEH-2L/PSR-M32 WS	05010421472
PG21	HV10B-TEH-2L/PSR-PG21 WS	05010423672
PG29	HV10B-TEH-2L/PSR-PG29 WS	05010423772

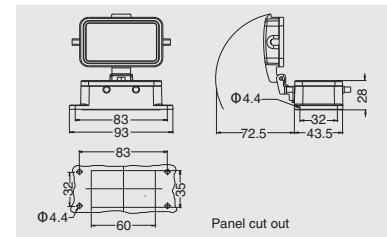
Please refer to page 16-02 for choosing proper model of lock.



Housings, bulkhead mounting



Thread	Designation	Order No.
---	HV10B-BK-4B	05010080010
	with plastic cover	
---	HV10B-BK-4B-CV	05010080020
	with metal cover	
---	HV10B-BK-4B-MCV	05010080021





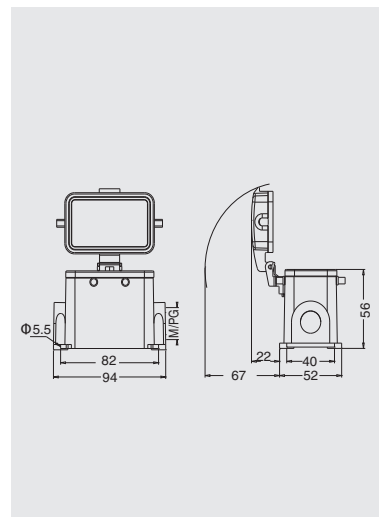
HV10B Metal hoods/housings  
- for high voltage inserts(HVE Series)

Degree of protection: IP65

Housings, surface mounting



Thread	Designation	Order No.
M20	HV10B-SF-4B-M20	05010581210
2M20	HV10B-SF-4B-2M20	05010586210
M25	HV10B-SF-4B-M25	05010581310
2M25	HV10B-SF-4B-2M25	05010586310
PG16	HV10B-SF-4B-PG16	05010583510
2PG16	HV10B-SF-4B-2PG16	05010588510
with plastic cover		
M20	HV10B-SF-4B-CV-M20	05010581260
2M20	HV10B-SF-4B-CV-2M20	05010586260
M25	HV10B-SF-4B-CV-M25	05010581360
2M25	HV10B-SF-4B-CV-2M25	05010586360
PG16	HV10B-SF-4B-CV-PG16	05010583560
2PG16	HV10B-SF-4B-CV-2PG16	05010588560
with metal cover		
M20	HV10B-SF-4B-MCV-M20	05010581261
2M20	HV10B-SF-4B-MCV-2M20	05010586261
M25	HV10B-SF-4B-MCV-M25	05010581361
2M25	HV10B-SF-4B-MCV-2M25	05010586361
PG16	HV10B-SF-4B-MCV-PG16	05010583561
2PG16	HV10B-SF-4B-MCV-2PG16	05010588561

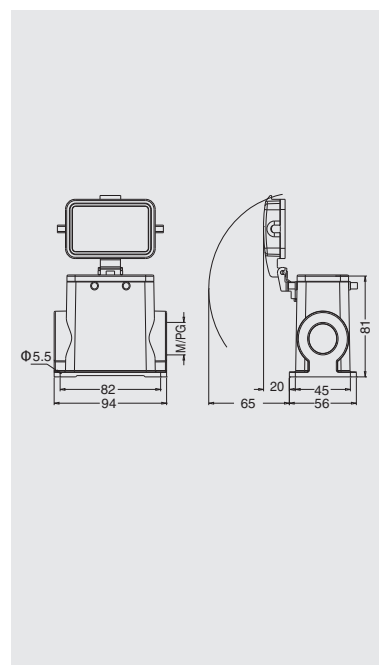


Housings, surface mounting

high construction



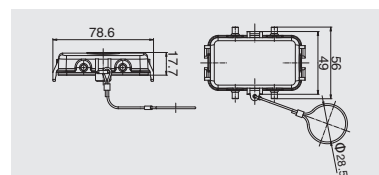
Thread	Designation	Order No.
M25	HV10B-SFH-4B-M25	05010681310
2M25	HV10B-SFH-4B-2M25	05010686310
M32	HV10B-SFH-4B-M32	05010681410
2M32	HV10B-SFH-4B-2M32	05010686410
PG21	HV10B-SFH-4B-PG21	05010683610
2PG21	HV10B-SFH-4B-2PG21	05010688610
PG29	HV10B-SFH-4B-PG29	05010683710
2PG29	HV10B-SFH-4B-2PG29	05010688720
with plastic cover		
M25	HV10B-SFH-4B-CV-M25	05010681360
2M25	HV10B-SFH-4B-CV-2M25	05010686360
M32	HV10B-SFH-4B-CV-M32	05010681460
2M32	HV10B-SFH-4B-CV-2M32	05010686460
PG21	HV10B-SFH-4B-CV-PG21	05010683660
2PG21	HV10B-SFH-4B-CV-2PG21	05010688660
PG29	HV10B-SFH-4B-CV-PG29	05010683760
2PG29	HV10B-SFH-4B-CV-2PG29	05010688760
with metal cover		
M25	HV10B-SFH-4B-MCV-M25	05010681361
2M25	HV10B-SFH-4B-MCV-2M25	05010686361
M32	HV10B-SFH-4B-MCV-M32	05010681461
2M32	HV10B-SFH-4B-MCV-2M32	05010686461
PG21	HV10B-SFH-4B-MCV-PG21	05010683661
2PG21	HV10B-SFH-4B-MCV-2PG21	05010688661
PG29	HV10B-SFH-4B-MCV-PG29	05010683761
2PG29	HV10B-SFH-4B-MCV-2PG29	05010688761



Protection covers, metal



Connect way	Application	Designation	Order No.
	for hoods	H10B-MCV-4B/1	03010398011
	for housings	H10B-MCV-4B/2	03010398021



Protection covers, metal



Connect way	Application	Designation	Order No.
	for hoods	H10B-MCV-2L/PSR.1S	03010392052
	for housings	H10B-MCV-2L/PSR.2	03010392053

Please refer to page 16-02 for choosing proper model of lock.

