

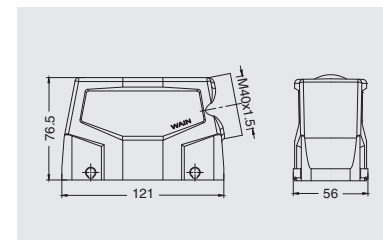
24B Plastic hoods/housings

Degree of protection: IP65

Hoods, side entry, high construction

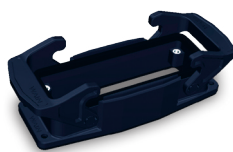


Thread	Designation	Order No.
M40	H24B.P-SEH-4B-M40	03P24381510

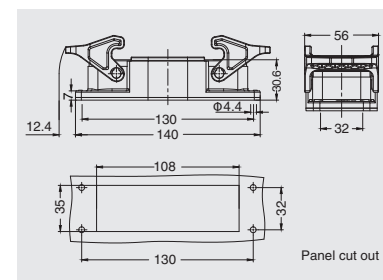


H

Housings, bulkhead mounting



Thread	Designation	Order No.
---	H24B.P-BK-2L	03P24020010



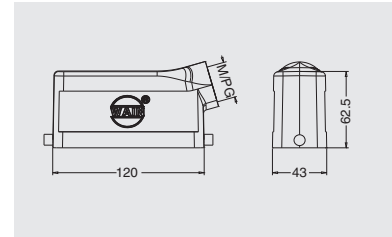
24B Metal hoods/housings

Degree of protection: IP65

Hoods, side entry



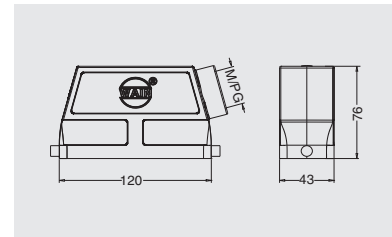
Thread	Designation	Order No.
M25	H24B-SE-2B-M25	03024141310
M32	H24B-SE-2B-M32	03024141410
PG21	H24B-SE-2B-PG21	03024143610



Hoods, side entry, high construction



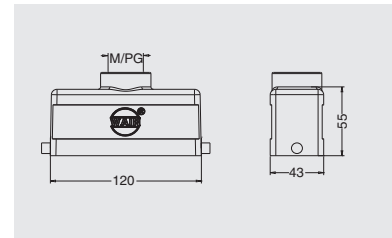
Thread	Designation	Order No.
M32	H24B-SEH-2B-M32	03024341410
M40	H24B-SEH-2B-M40	03024341510
PG21	H24B-SEH-2B-PG21	03024343610
PG29	H24B-SEH-2B-PG29	03024343710



Hoods, top entry



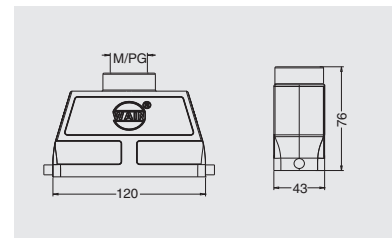
Thread	Designation	Order No.
M25	H24B-TE-2B-M25	03024241310
M32	H24B-TE-2B-M32	03024241410
PG21	H24B-TE-2B-PG21	03024243610



Hoods, top entry, high construction



Thread	Designation	Order No.
M32	H24B-TEH-2B-M32	03024441410
M40	H24B-TEH-2B-M40	03024441510
PG21	H24B-TEH-2B-PG21	03024443610
PG29	H24B-TEH-2B-PG29	03024443710
---	H24B-TEH-2B	

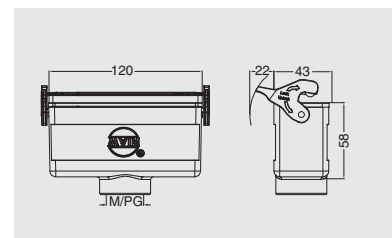


Housings, cable to cable



Thread	Designation	Order No.
M25	H24B-CCT-1L/PSR-M25	03024711352
PG21	H24B-CCT-1L/PSR-PG21	03024713652

Please refer to page 16-02 for choosing proper model of lock.

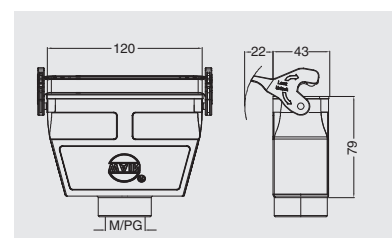


Housings, cable to cable
high construction



Thread	Designation	Order No.
M32	H24B-CCTH-1L/PSR-M32	03024811452
M40	H24B-CCTH-1L/PSR-M40	03024811552
PG21	H24B-CCTH-1L/PSR-PG21	03024813652
PG29	H24B-CCTH-1L/PSR-PG29	03024813752

Please refer to page 16-02 for choosing proper model of lock.



24B Metal hoods/housings

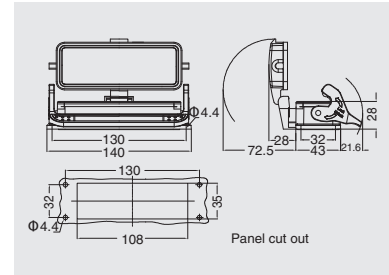
Degree of protection : IP65

Housings, bulkhead mounting



Thread	Designation	Order No.
---	H24B-BK-1L/PSR with plastic cover	03024010052
---	H24B-BK-1L/PSR-CV with metal cover	03024010063
---	H24B-BK-1L/PSR-MCV	03024010065

Please refer to page 16-02 for choosing proper model of lock.

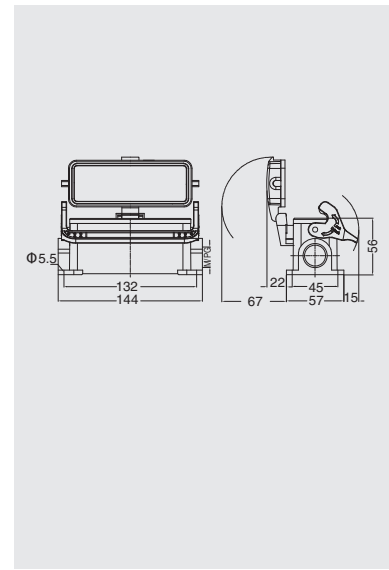


Housings, surface mounting



Thread	Designation	Order No.
M25	H24B-SF-1L/PSR-M25	03024511352
2M25	H24B-SF-1L/PSR-2M25	03024516352
PG21	H24B-SF-1L/PSR-PG21	03024513652
2PG21	H24B-SF-1L/PSR-2PG21	03024518652
with plastic cover		
M25	H24B-SF-1L/PSR-CV-M25	03024511363
2M25	H24B-SF-1L/PSR-CV-2M25	03024516363
PG21	H24B-SF-1L/PSR-CV-PG21	03024513692
2PG21	H24B-SF-1L/PSR-CV-2PG21	03024518663
with metal cover		
M25	H24B-SF-1L/PSR-MCV-M25	03024511364
2M25	H24B-SF-1L/PSR-MCV-2M25	03024516364
PG21	H24B-SF-1L/PSR-MCV-PG21	03024513664
2PG21	H24B-SF-1L/PSR-MCV-2PG21	03024518664

Please refer to page 16-02 for choosing proper model of lock.



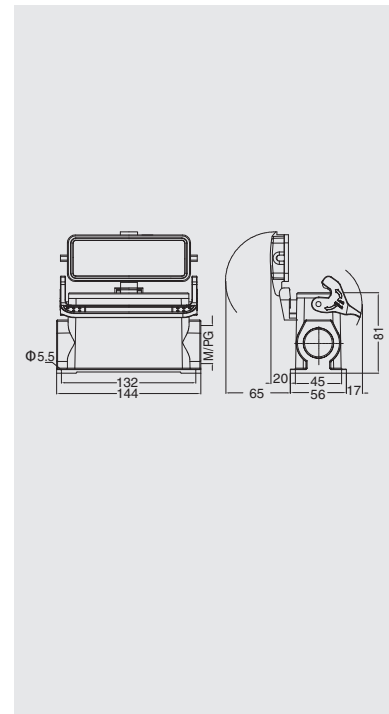
Housings, surface mounting

high construction



Thread	Designation	Order No.
M32	H24B-SFH-1L/PSR-M32	03024611452
2M32	H24B-SFH-1L/PSR-2M32	03024616452
PG21	H24B-SFH-1L/PSR-PG21	03024613652
2PG21	H24B-SFH-1L/PSR-2PG21	03024618652
PG29	H24B-SFH-1L/PSR-PG29	03024613752
2PG29	H24B-SFH-1L/PSR-2PG29	03024618752
with plastic cover		
M32	H24B-SFH-1L/PSR-CV-M32	03024611463
2M32	H24B-SFH-1L/PSR-CV-2M32	03024616463
PG21	H24B-SFH-1L/PSR-CV-PG21	03024613663
2PG21	H24B-SFH-1L/PSR-CV-2PG21	03024618663
PG29	H24B-SFH-1L/PSR-CV-PG29	03024613763
2PG29	H24B-SFH-1L/PSR-CV-2PG29	03024618763
with metal cover		
M32	H24B-SFH-1L/PSR-MCV-M32	03024611464
2M32	H24B-SFH-1L/PSR-MCV-2M32	03024616464
PG21	H24B-SFH-1L/PSR-MCV-PG21	03024613664
2PG21	H24B-SFH-1L/PSR-MCV-2PG21	03024618664
PG29	H24B-SFH-1L/PSR-MCV-PG29	03024613764
2PG29	H24B-SFH-1L/PSR-MCV-2PG29	03024618764

Please refer to page 16-02 for choosing proper model of lock.



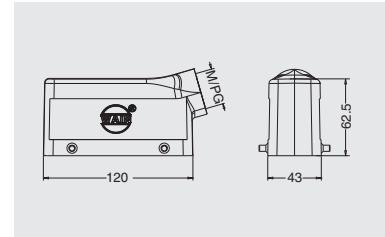
24B Metal hoods/housings

Degree of protection : IP65

Hoods, side entry



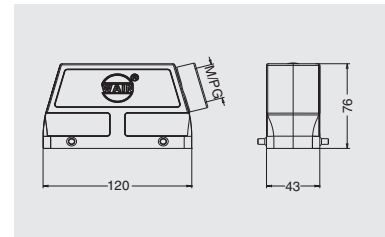
Thread	Designation	Order No.
M25	H24B-SE-4B-M25	03024181310
M32	H24B-SE-4B-M32	03024181410
PG21	H24B-SE-4B-PG21	03024183610



Hoods, side entry, high construction



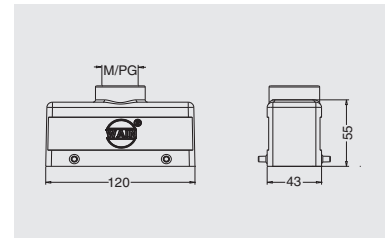
Thread	Designation	Order No.
M32	H24B-SEH-4B-M32	03024381410
M40	H24B-SEH-4B-M40	03024381510
PG21	H24B-SEH-4B-PG21	03024383610
PG29	H24B-SEH-4B-PG29	03024383710



Hoods, top entry



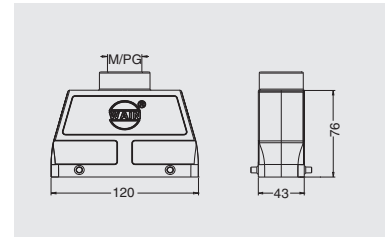
Thread	Designation	Order No.
M25	H24B-TE-4B-M25	03024281310
M32	H24B-TE-4B-M32	03024281410
PG21	H24B-TE-4B-PG21	03024283610



Hoods, top entry, high construction



Thread	Designation	Order No.
M32	H24B-TEH-4B-M32	03024281410
M40	H24B-TEH-4B-M40	03024281510
PG21	H24B-TEH-4B-PG21	03024483610
PG29	H24B-TEH-4B-PG29	03024483710

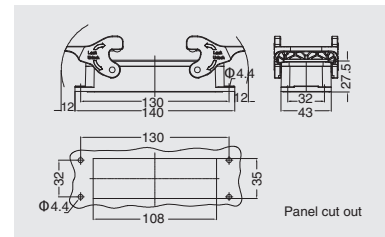


Housings, bulkhead mounting



Thread	Designation	Order No.
--	H24B-BK-2L/PSR	03024020052

Please refer to page 16-02 for choosing proper model of lock.

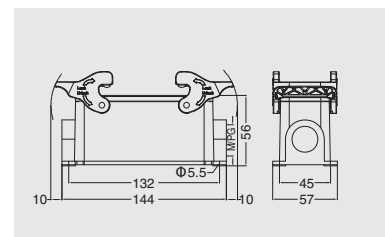


Housings, surface mounting



Thread	Designation	Order No.
M25	H24B-SF-2L/PSR-M25	03024521352
2M25	H24B-SF-2L/PSR-2M25	03024526352
PG21	H24B-SF-2L/PSR-PG21	03024523652
2PG21	H24B-SF-2L/PSR-2PG21	03024528652

Please refer to page 16-02 for choosing proper model of lock.



24B Metal hoods/housings

Degree of protection: IP65

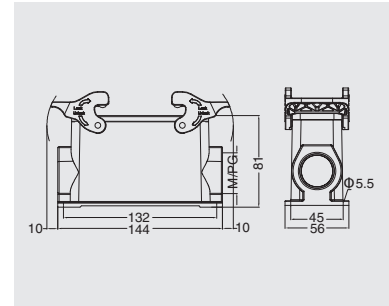
Housings, surface mounting

high construction



Thread	Designation	Order No.
M32	H24B-SFH-2L/PSR-M32	03024621452
2M32	H24B-SFH-2L/PSR-2M32	03024626452
PG21	H24B-SFH-2L/PSR-PG21	03024623652
2PG21	H24B-SFH-2L/PSR-2PG21	03024628652
PG29	H24B-SFH-2L/PSR-PG29	03024623752
2PG29	H24B-SFH-2L/PSR-2PG29	03024628752

Please refer to page 16-02 for choosing proper model of lock.

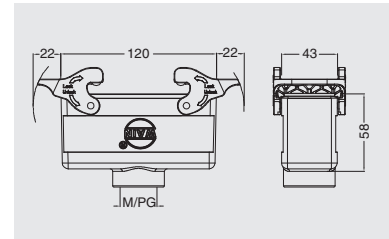


Housings, cable to cable



Thread	Designation	Order No.
M25	H24B-CCT-2L/PSR-M25	03024721352
PG21	H24B-CCT-2L/PSR-PG21	03024723652

Please refer to page 16-02 for choosing proper model of lock.



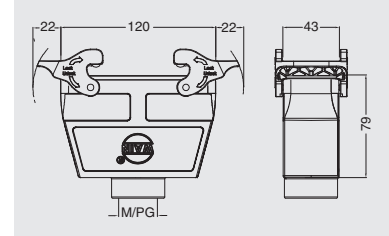
Housings, cable to cable

high construction



Thread	Designation	Order No.
M32	H24B-CCTH-2L/PSR-M32	03024821452
M40	H24B-CCTH-2L/PSR-M40	03024821552
PG21	H24B-CCTH-2L/PSR-PG21	03024823652
PG29	H24B-CCTH-2L/PSR-PG29	03024823752

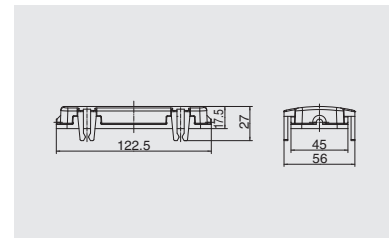
Please refer to page 16-02 for choosing proper model of lock.



Protection covers, plastic



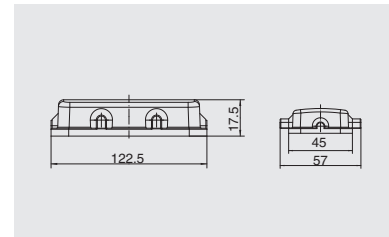
Connect way	Application	Designation	Order No.
--	for hoods	H24B-CV-4C	08221243000



Protection covers, plastic



Connect way	Application	Designation	Order No.
	for hoods	H24B-CV-4B/1	08221242010
	for housings	H24B-CV-4B/2	08221242020



24B Metal hoods/housings

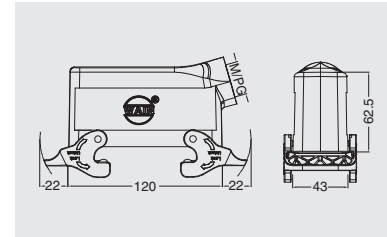
Degree of protection: IP65

Hoods, side entry



Thread	Designation	Order No.
M25	H24B-SE-2L/PSR-M25	03024121352
M32	H24B-SE-2L/PSR-M32	03024121452
PG21	H24B-SE-2L/PSR-PG21	03024123652

Please refer to page 16-02 for choosing proper model of lock.

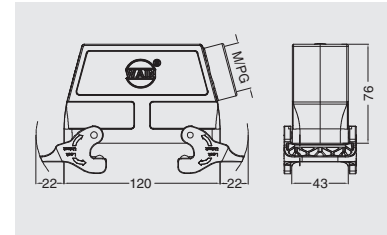


Hoods, side entry, high construction



Thread	Designation	Order No.
M32	H24B-SEH-2L/PSR-M32	03024321452
M40	H24B-SEH-2L/PSR-M40	03024321552
PG21	H24B-SEH-2L/PSR-PG21	03024323652
PG29	H24B-SEH-2L/PSR-PG29	03024323752

Please refer to page 16-02 for choosing proper model of lock.

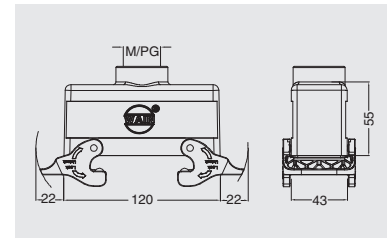


Hoods, top entry



Thread	Designation	Order No.
M25	H24B-TE-2L/PSR-M25	03024221352
PG21	H24B-TE-2L/PSR-PG21	03024223652

Please refer to page 16-02 for choosing proper model of lock.

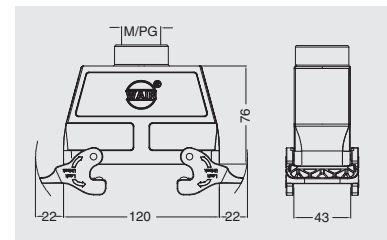


Hoods, top entry, high construction



Thread	Designation	Order No.
M32	H24B-TEH-2L/PSR-M32	03024421452
M40	H24B-TEH-2L/PSR-M40	03024421552
PG21	H24B-TEH-2L/PSR-PG21	03024423652
PG29	H24B-TEH-2L/PSR-PG29	03024423752

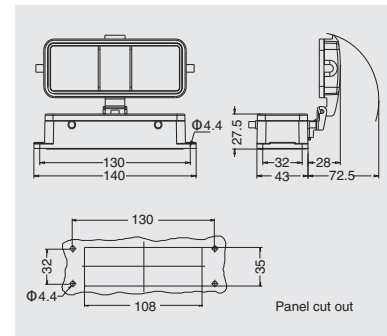
Please refer to page 16-02 for choosing proper model of lock.



Housings, bulkhead mounting



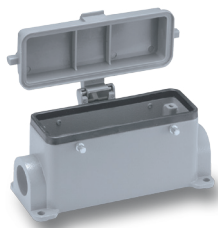
Thread	Designation	Order No.
---	H24B-BK-4B	03024080010
---	with plastic cover	
---	H24B-BK-4B-CV	03024080020
---	with metal cover	
---	H24B-BK-4B-MCV	03024080021



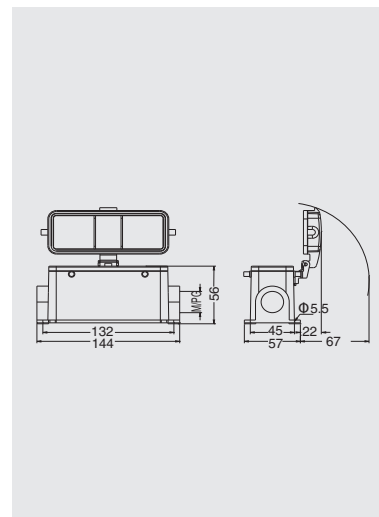
24B Metal hoods/housings

Degree of protection: IP65

Housings, surface mounting

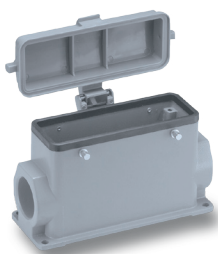


Thread	Designation	Order No.
M25	H24B-SF-4B-M25	03024581310
2M25	H24B-SF-4B-2M25	03024586310
PG21	H24B-SF-4B-PG21	03024583610
2PG21	H24B-SF-4B-2PG21	03024588610
with plastic cover		
M25	H24B-SF-4B-CV-M25	03024581320
2M25	H24B-SF-4B-CV-2M25	03024586320
PG21	H24B-SF-4B-CV-PG21	03024583620
2PG21	H24B-SF-4B-CV-2PG21	03024588620
with metal cover		
M25	H24B-SF-4B-MCV-M25	03024581321
2M25	H24B-SF-4B-MCV-2M25	03024586321
PG21	H24B-SF-4B-MCV-PG21	03024583621
2PG21	H24B-SF-4B-MCV-2PG21	03024588621

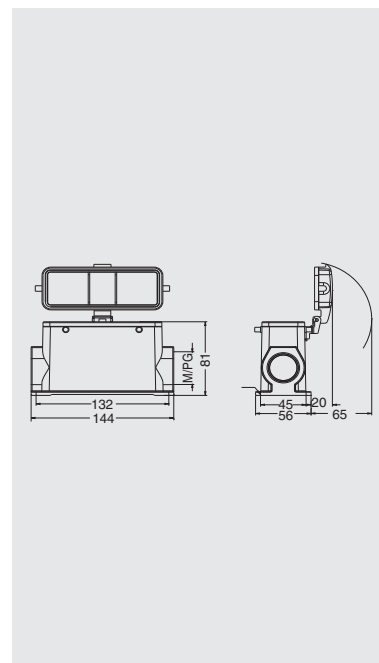


Housings, surface mounting

high construction



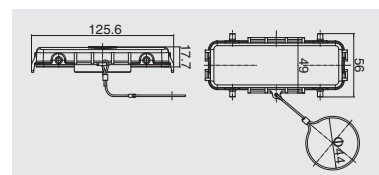
Thread	Designation	Order No.
M32	H24B-SFH-4B-M32	03024681410
2M32	H24B-SFH-4B-2M32	03024686410
PG21	H24B-SFH-4B-PG21	03024683610
2PG21	H24B-SFH-4B-2PG21	03024688610
PG29	H24B-SFH-4B-PG29	03024683710
2PG29	H24B-SFH-4B-2PG29	03024688710
with plastic cover		
M32	H24B-SFH-4B-CV-M32	03024681420
2M32	H24B-SFH-4B-CV-2M32	03024686420
PG21	H24B-SFH-4B-CV-PG21	03024683620
2PG21	H24B-SFH-4B-CV-2PG21	03024688620
PG29	H24B-SFH-4B-CV-PG29	03024683720
2PG29	H24B-SFH-4B-CV-2PG29	03024688720
with metal cover		
M32	H24B-SFH-4B-MCV-M32	03024681421
2M32	H24B-SFH-4B-MCV-2M32	03024686421
PG21	H24B-SFH-4B-MCV-PG21	03024683621
2PG21	H24B-SFH-4B-MCV-2PG21	03024688621
PG29	H24B-SFH-4B-MCV-PG29	03024683721
2PG29	H24B-SFH-4B-MCV-2PG29	03024688721



Protection covers, metal



Connect way	Application	Designation	Order No.
	for hoods	H24B-MCV-4B/1	03024398011
	for housings	H24B-MCV-4B/2	03024398021

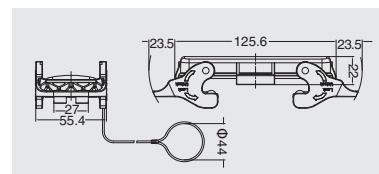


Protection covers, metal



Connect way	Application	Designation	Order No.
	for hoods	H24B-MCV-2L/PSR.1S	03024392052
	for housings	H24B-MCV-2L/PSR.2	03024392053

Please refer to page 16-02 for choosing proper model of lock.



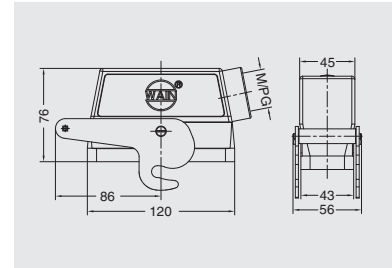
24B Metal hoods/housings

Degree of protection: IP65

Hoods, side entry, high construction



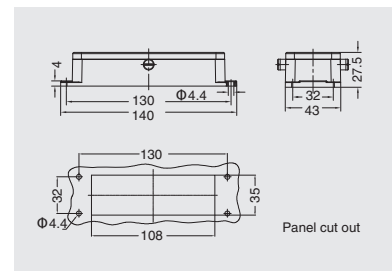
Thread	Designation	Order No.
M32	H24B-SEH-1L/C-M32	03024311446
PG29	H24B-SEH-1L/C-PG29	03024313746



Housings, bulkhead mounting



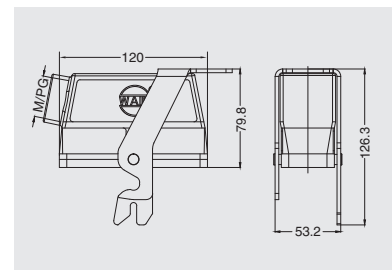
Thread	Designation	Order No.
---	H24B-BK-2B/C	03024040030



Hoods, side entry, high construction



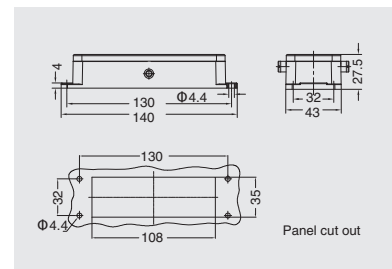
Thread	Designation	Order No.
M32	H24B-SEH-1L/B-M32	03024311430
PG29	H24B-SEH-1L/B-PG29	03024313730



Housings, bulkhead mounting



Thread	Designation	Order No.
---	H24B-BK-2B/B	03024040010



24B Pressure tight hoods/housings

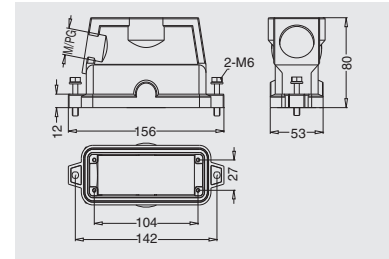
Degree of protection: IP68

W version

Hoods, side entry, high construction



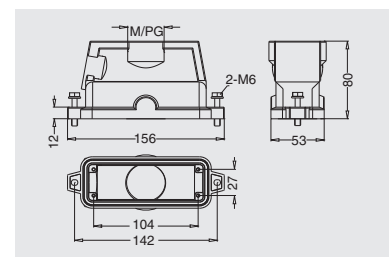
Thread	Designation	Order No.
M25	HP24B-SEH-2S-M25	04024351302
M32	HP24B-SEH-2S-M32	04024351402
M40	HP24B-SEH-2S-M40	04024351502
PG21	HP24B-SEH-2S-PG21	04024353602
PG29	HP24B-SEH-2S-PG29	04024353702



Hoods, top entry, high construction



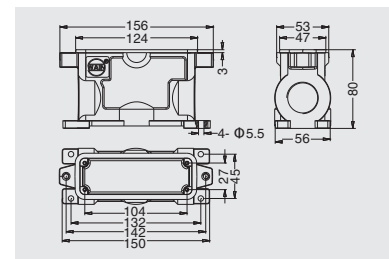
Thread	Designation	Order No.
M25	HP24B-TEH-2S-M25	04024451302
M32	HP24B-TEH-2S-M32	04024451402
M40	HP24B-TEH-2S-M40	04024451502
M50	HP24B-TEH-2S-M50	04024451602
PG21	HP24B-TEH-2S-PG21	04024453602
PG29	HP24B-TEH-2S-PG29	04024453702
PG36	HP24B-TEH-2S-PG36	04024453802



Housings, surface mounting
high construction



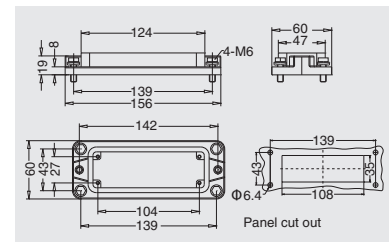
Thread	Designation	Order No.
M25	HP24B-SFH-2H-M25	04024551302
M32	HP24B-SFH-2H-M32	04024551402
M40	HP24B-SFH-2H-M40	04024551502
PG21	HP24B-SFH-2H-PG21	04024553602
PG29	HP24B-SFH-2H-PG29	04024553702



Housings, bulkhead mounting



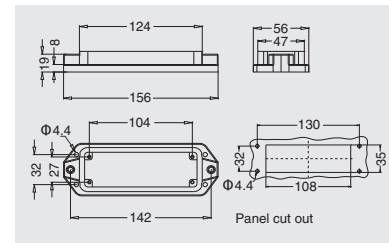
Thread	Designation	Order No.
---	HP24B-BK-2H	04024050002



Housings, bulkhead mounting



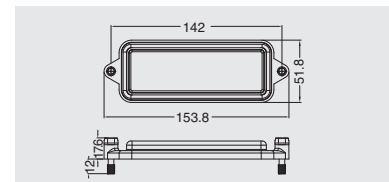
Thread	Designation	Order No.
---	HP24B-BK/S-2H	04024050004



Protection covers, plastic



Thread	Designation	Order No.
---	HP24B-CV-2S	08223241000



24B Pressure tight hoods/housings

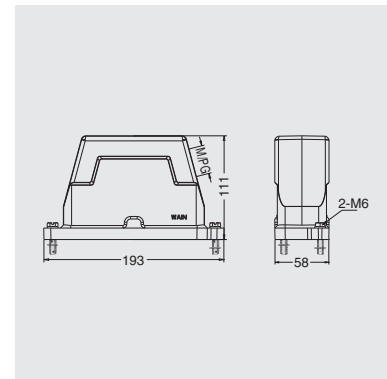
Degree of protection: IP68

H version

Hoods, side entry, high construction



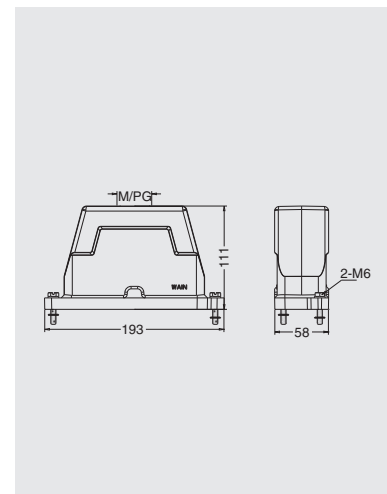
Thread	Designation	Order No.
	Screw locking	
M25	HP24B/H-SEH-2S-M25	04124351302
M32	HP24B/H-SEH-2S-M32	04124351402
M40	HP24B/H-SEH-2S-M40	04124351502
PG21	HP24B/H-SEH-2S-PG21	04124353602
PG29	HP24B/H-SEH-2S-PG29	04124353702
	Toggle locking	
M25	HP24B/H-SEH-2T-M25	04224351302
M32	HP24B/H-SEH-2T-M32	04224351402
M40	HP24B/H-SEH-2T-M40	04224351502
PG21	HP24B/H-SEH-2T-PG21	04224353602
PG29	HP24B/H-SEH-2T-PG29	04224353702



Hoods, top entry, high construction



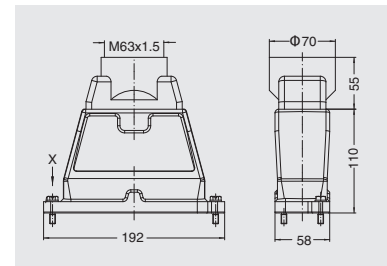
Thread	Designation	Order No.
	Screw locking	
M25	HP24B/H-TEH-2S-M25	04124451302
M32	HP24B/H-TEH-2S-M32	04124451402
M40	HP24B/H-TEH-2S-M40	04124451502
M50	HP24B/H-TEH-2S-M50	04124451602
PG21	HP24B/H-TEH-2S-PG21	04124453602
PG29	HP24B/H-TEH-2S-PG29	04124453702
PG36	HP24B/H-TEH-2S-PG36	04124453802
	Toggle locking	
M25	HP24B/H-TEH-2T-M25	04224451302
M32	HP24B/H-TEH-2T-M32	04224451402
M40	HP24B/H-TEH-2T-M40	04224451502
M50	HP24B/H-TEH-2T-M50	04224451602
PG21	HP24B/H-TEH-2T-PG21	04224453602
PG29	HP24B/H-TEH-2T-PG29	04224453702
PG36	HP24B/H-TEH-2T-PG36	04224453802



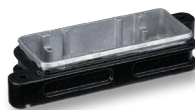
Hoods, top entry, high construction



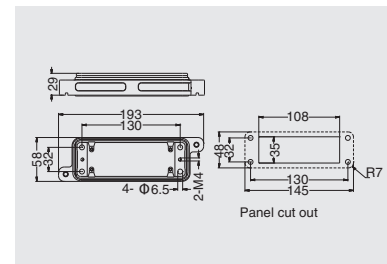
Thread	Designation	Order No.
	Screw locking	
M63	HP24B/H-TEH-2S-M63	04124458602
	Toggle locking	
M63	HP24B/H-TEH-2T-M63	04224458602



Housings, bulkhead mounting



Thread	Designation	Order No.
	Screw locking	
---	HP24B/H-BK-2H	04124050002
	Toggle locking	
---	HP24B/H-BK-2T	04224050002



24B Pressure tight hoods/housings

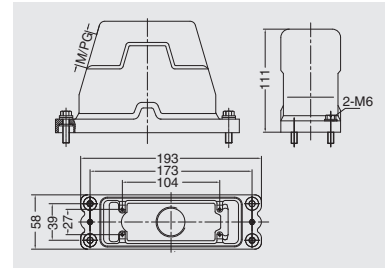
Degree of protection: IP68

H version

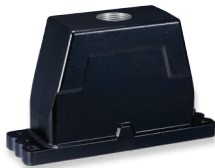
Hoods, side entry, high construction



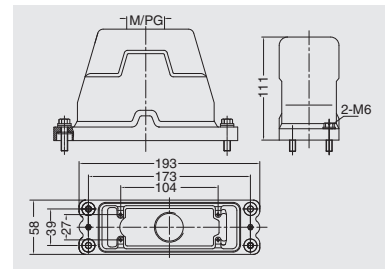
Thread	Designation	Order No.
M25	HP24B/H-SEH-4S-M25	04124361302
M32	HP24B/H-SEH-4S-M32	04124361402
M40	HP24B/H-SEH-4S-M40	04124361502
PG21	HP24B/H-SEH-4S-PG21	04124363602
PG29	HP24B/H-SEH-4S-PG29	04124363702



Hoods, top entry, high construction



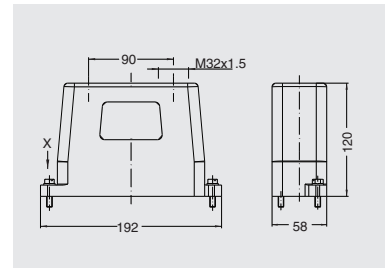
Thread	Designation	Order No.
M25	HP24B/H-TEH-4S-M25	04124461302
M32	HP24B/H-TEH-4S-M32	04124461402
M40	HP24B/H-TEH-4S-M40	04124461502
M50	HP24B/H-TEH-4S-M50	04124461602
PG21	HP24B/H-TEH-4S-PG21	04124463602
PG29	HP24B/H-TEH-4S-PG29	04124463702
PG36	HP24B/H-TEH-4S-PG36	04124463802



Hoods, top entry, high construction



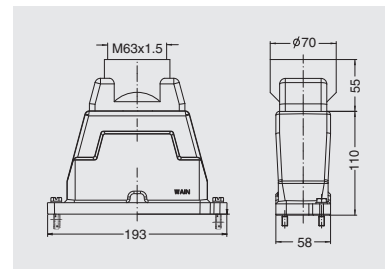
Thread	Designation	Order No.
3M32	HP24B/H-TEHH-4S-3M32	04124989402



Hoods, top entry, high construction



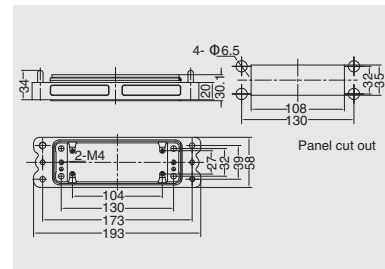
Thread	Designation	Order No.
M63	HP24B/H-TEH-4S-M63	04124468602



Housings, bulkhead mounting



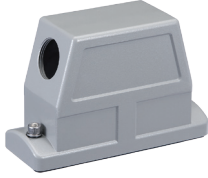
Thread	Designation	Order No.
---	HP24B/H-BK-4H	04124060002



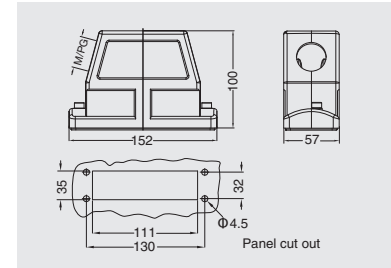
24B Pressure tight hoods/housings

Degree of protection: IP68

Hoods, side entry, high construction



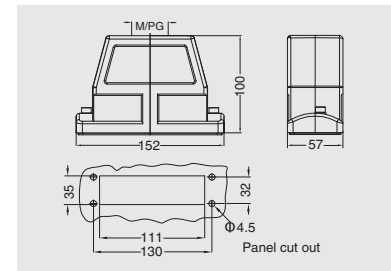
Thread	Designation	Order No.
M32	HC24B-SEH-2S-M32	04224351401
M40	HC24B-SEH-2S-M40	04224351501
PG21	HC24B-SEH-2S-PG21	04224353601
PG29	HC24B-SEH-2S-PG29	04224353701



Hoods, top entry, high construction



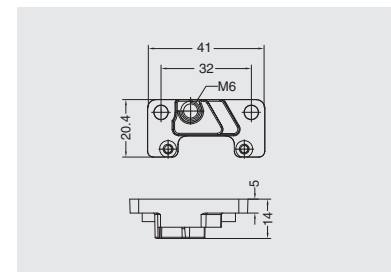
Thread	Designation	Order No.
M32	HC24B-TEH-2S-M32	04224451401
M40	HC24B-TEH-2S-M40	04224451501
PG21	HC24B-TEH-2S-PG21	04224453601
PG29	HC24B-TEH-2S-PG29	04224453701



Protection covers



Application	Designation	Order No.
for integral type hoods	APT-C	08139140000



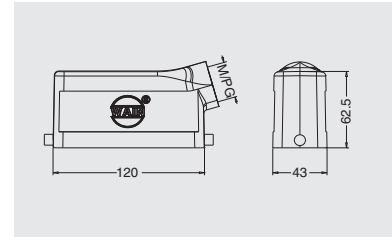
HV24B Metal hoods/housings
- for high voltage inserts(HVE Series)

Degree of protection: IP65

Hoods, side entry



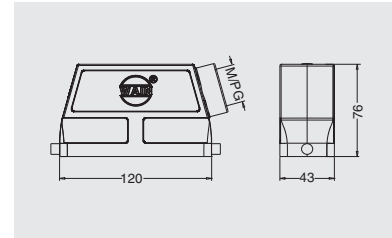
Thread	Designation	Order No.
M25	HV24B-SE-2B-M25	05024141310
M32	HV24B-SE-2B-M32	05024141410
PG21	HV24B-SE-2B-PG21	05024143610



Hoods, side entry, high construction



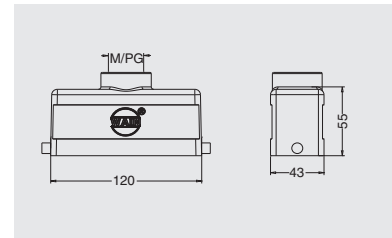
Thread	Designation	Order No.
M32	HV24B-SEH-2B-M32	05024341410
M40	HV24B-SEH-2B-M40	05024341510
PG21	HV24B-SEH-2B-PG21	05024343610
PG29	HV24B-SEH-2B-PG29	05024343710



Hoods, top entry



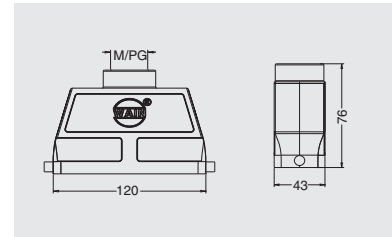
Thread	Designation	Order No.
M25	HV24B-TE-2B-M25	05024241310
M32	HV24B-TE-2B-M32	05024241410
PG21	HV24B-TE-2B-PG21	05024243610



Hoods, top entry, high construction



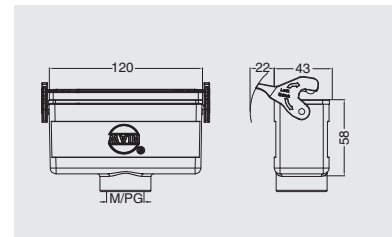
Thread	Designation	Order No.
M32	HV24B-TEH-2B-M32	05024441410
M40	HV24B-TEH-2B-M40	05024441510
PG21	HV24B-TEH-2B-PG21	05024443610
PG29	HV24B-TEH-2B-PG29	05024443710



Housings, cable to cable



Thread	Designation	Order No.
M25	HV24B-CCT-1L/PSR-M25	05024711352
PG21	HV24B-CCT-1L/PSR-PG21	05024713652

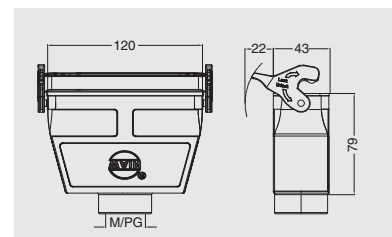


Please refer to page 16-02 for choosing proper model of lock.

Housings, cable to cable
high construction



接线方式	Designation	Order No.
M32	HV24B-CCTH-1L/PSR-M32	05024811452
M40	HV24B-CCTH-1L/PSR-M40	05024811552
PG21	HV24B-CCTH-1L/PSR-PG21	05024813652
PG29	HV24B-CCTH-1L/PSR-PG29	05024813752



Please refer to page 16-02 for choosing proper model of lock.

HV24B Metal hoods/housings
- for high voltage inserts(HVE Series)

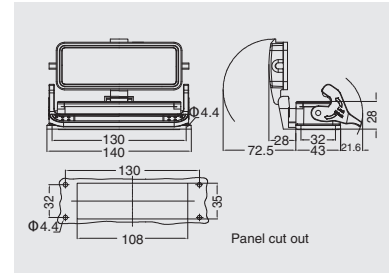
Degree of protection : IP65

Housings, bulkhead mounting



Thread	Designation	Order No.
---	HV24B-BK-1L/PSR with plastic cover	05024010052
---	HV24B-BK-1L/PSR-CV with metal cover	05024010063
---	HV24B-BK-1L/PSR-MCV	05024010065

Please refer to page 16-02 for choosing proper model of lock.

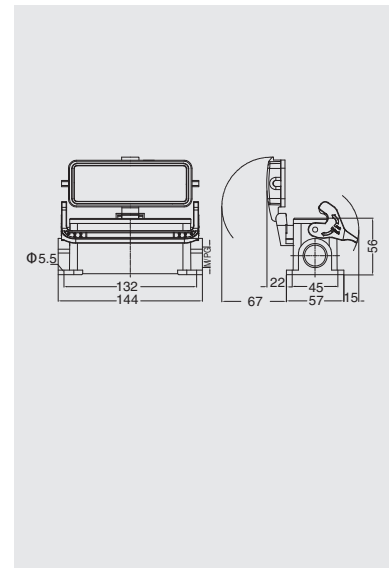


Housings, surface mounting



Thread	Designation	Order No.
M25	HV24B-SF-1L/PSR-M25	05024511352
2M25	HV24B-SF-1L/PSR-2M25	05024516352
PG21	HV24B-SF-1L/PSR-PG21	05024513652
2PG21	HV24B-SF-1L/PSR-2PG21	05024518652
	with plastic cover	
M25	HV24B-SF-1L/PSR-CV-M25	05024511363
2M25	HV24B-SF-1L/PSR-CV-2M25	05024516363
PG21	HV24B-SF-1L/PSR-CV-PG21	05024513692
2PG21	HV24B-SF-1L/PSR-CV-2PG21	05024518663
	with metal cover	
M25	HV24B-SF-1L/PSR-MCV-M25	05024511364
2M25	HV24B-SF-1L/PSR-MCV-2M25	05024516364
PG21	HV24B-SF-1L/PSR-MCV-PG21	05024513664
2PG21	HV24B-SF-1L/PSR-MCV-2PG21	05024518664

Please refer to page 16-02 for choosing proper model of lock.



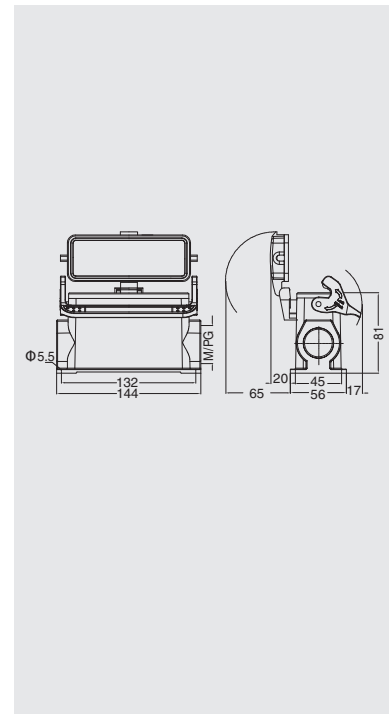
Housings, surface mounting

high construction



Thread	Designation	Order No.
M32	HV24B-SFH-1L/PSR-M32	05024611452
2M32	HV24B-SFH-1L/PSR-2M32	05024616452
PG21	HV24B-SFH-1L/PSR-PG21	05024613652
2PG21	HV24B-SFH-1L/PSR-2PG21	05024618652
PG29	HV24B-SFH-1L/PSR-PG29	05024613752
2PG29	HV24B-SFH-1L/PSR-2PG29	05024618752
	with plastic cover	
M32	HV24B-SFH-1L/PSR-CV-M32	05024611463
2M32	HV24B-SFH-1L/PSR-CV-2M32	05024616463
PG21	HV24B-SFH-1L/PSR-CV-PG21	05024613663
2PG21	HV24B-SFH-1L/PSR-CV-2PG21	05024618663
PG29	HV24B-SFH-1L/PSR-CV-PG29	05024613763
2PG29	HV24B-SFH-1L/PSR-CV-2PG29	05024618763
	with metal cover	
M32	HV24B-SFH-1L/PSR-MCV-M32	05024611464
2M32	HV24B-SFH-1L/PSR-MCV-2M32	05024616464
PG21	HV24B-SFH-1L/PSR-MCV-PG21	05024613664
2PG21	HV24B-SFH-1L/PSR-MCV-2PG21	05024618664
PG29	HV24B-SFH-1L/PSR-MCV-PG29	05024613764
2PG29	HV24B-SFH-1L/PSR-MCV-2PG29	05024618764

Please refer to page 16-02 for choosing proper model of lock.



HV24B Metal hoods/housings
- for high voltage inserts(HVE Series)

Degree of protection: IP65

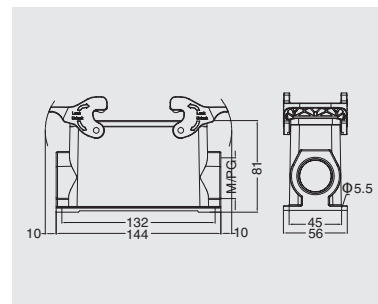
Housings, surface mounting

high construction



Thread	Designation	Order No.
M32	HV24B-SFH-2L/PSR-M32	05024621452
2M32	HV24B-SFH-2L/PSR-2M32	05024626452
PG21	HV24B-SFH-2L/PSR-PG21	05024623652
2PG21	HV24B-SFH-2L/PSR-2PG21	05024628652
PG29	HV24B-SFH-2L/PSR-PG29	05024623752
2PG29	HV24B-SFH-2L/PSR-2PG29	05024628752

Please refer to page 16-02 for choosing proper model of lock.

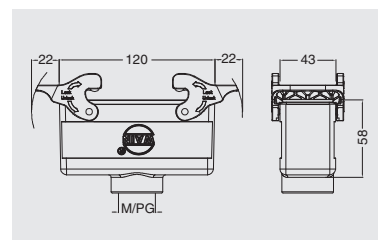


Housings, cable to cable



Thread	Designation	Order No.
M25	HV24B-CCT-2L/PSR-M25	05024721352
PG21	HV24B-CCT-2L/PSR-PG21	05024723652

Please refer to page 16-02 for choosing proper model of lock.



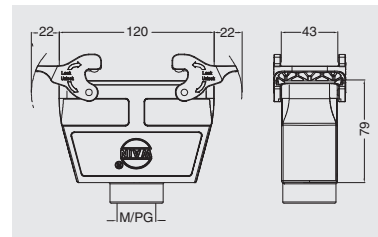
Housings, cable to cable

high construction



Thread	Designation	Order No.
M32	HV24B-CCTH-2L/PSR-M32	05024821452
M40	HV24B-CCTH-2L/PSR-M40	05024821552
PG21	HV24B-CCTH-2L/PSR-PG21	05024823652
PG29	HV24B-CCTH-2L/PSR-PG29	05024823752

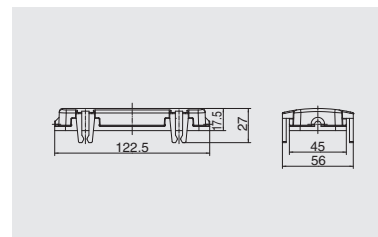
Please refer to page 16-02 for choosing proper model of lock.



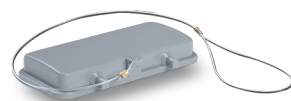
Protection covers, plastic



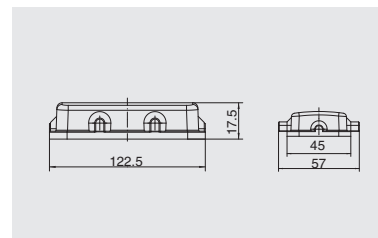
Connect way	Application	Designation	Order No.
--	for hoods	H24B-CV-4C	08221243000



Protection covers, plastic



Connect way	Application	Designation	Order No.
	for hoods	H24B-CV-4B/1	08221242010
	for housings	H24B-CV-4B/2	08221242020



HV24B Metal hoods/housings
- for high voltage inserts(HVE Series)

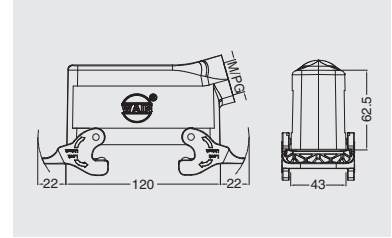
Degree of protection: IP65

Hoods, side entry



Thread	Designation	Order No.
M25	HV24B-SE-2L/PSR-M25	05024121352
M32	HV24B-SE-2L/PSR-M32	05024121452
PG21	HV24B-SE-2L/PSR-PG21	05024123652

Please refer to page 16-02 for choosing proper model of lock.

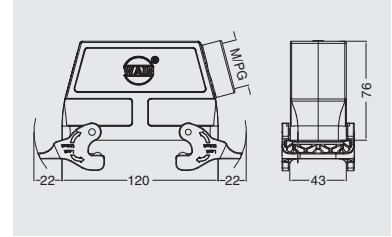


Hoods, side entry, high construction



Thread	Designation	Order No.
M32	HV24B-SEH-2L/PSR-M32	05024321452
M40	HV24B-SEH-2L/PSR-M40	05024321552
PG21	HV24B-SEH-2L/PSR-PG21	05024323652
PG29	HV24B-SEH-2L/PSR-PG29	05024323752

Please refer to page 16-02 for choosing proper model of lock.

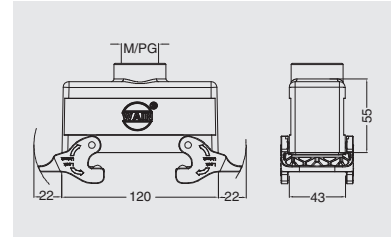


Hoods, top entry



Thread	Designation	Order No.
M25	HV24B-TE-2L/PSR-M25	05024221352
PG21	HV24B-TE-2L/PSR-PG21	05024223652

Please refer to page 16-02 for choosing proper model of lock.

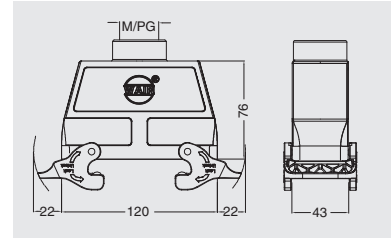


Hoods, top entry, high construction



Thread	Designation	Order No.
M32	HV24B-TEH-2L/PSR-M32	05024421452
M40	HV24B-TEH-2L/PSR-M40	05024421552
PG21	HV24B-TEH-2L/PSR-PG21	05024423652
PG29	HV24B-TEH-2L/PSR-PG29	05024423752

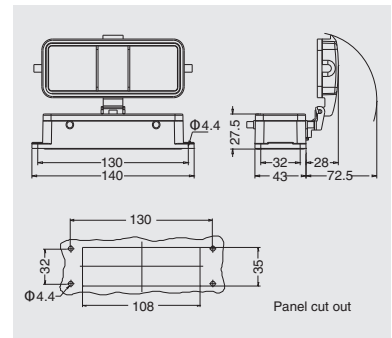
Please refer to page 16-02 for choosing proper model of lock.



Housings, bulkhead mounting



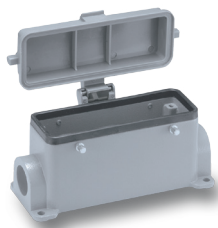
Thread	Designation	Order No.
--	HV24B-BK-4B with plastic cover	05024080010
--	HV24B-BK-4B-CV with metal cover	05024080020
--	HV24B-BK-4B-MCV	05024080021



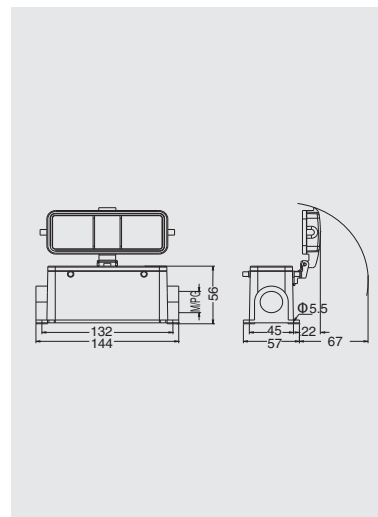
HV24B Metal hoods/housings
- for high voltage inserts(HVE Series)

Degree of protection: IP65

Housings, surface mounting

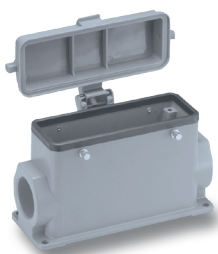


Thread	Designation	Order No.
M25	HV24B-SF-4B-M25	05024581310
2M25	HV24B-SF-4B-2M25	05024586310
PG21	HV24B-SF-4B-PG21	05024583610
2PG21	HV24B-SF-4B-2PG21	05024588610
with plastic cover		
M25	HV24B-SF-4B-CV-M25	05024581320
2M25	HV24B-SF-4B-CV-2M25	05024586320
PG21	HV24B-SF-4B-CV-PG21	05024583620
2PG21	HV24B-SF-4B-CV-2PG21	05024588620
with metal cover		
M25	HV24B-SF-4B-MCV-M25	05024581321
2M25	HV24B-SF-4B-MCV-2M25	05024586321
PG21	HV24B-SF-4B-MCV-PG21	05024583621
2PG21	HV24B-SF-4B-MCV-2PG21	05024588621

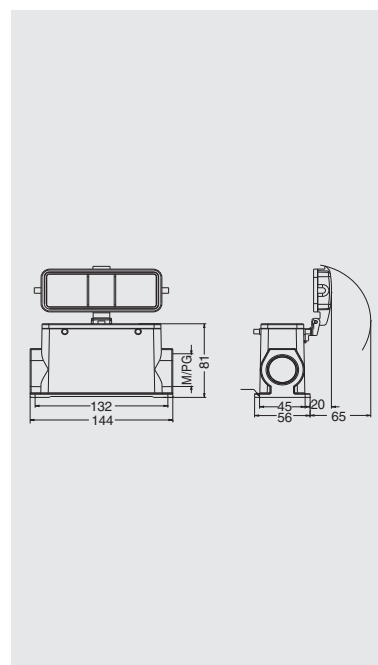


Housings, surface mounting

high construction



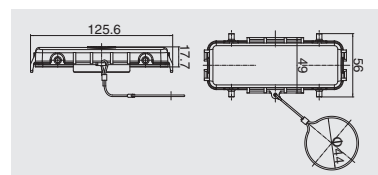
Thread	Designation	Order No.
M32	HV24B-SFH-4B-M32	05024681410
2M32	HV24B-SFH-4B-2M32	05024686410
PG21	HV24B-SFH-4B-PG21	05024683610
2PG21	HV24B-SFH-4B-2PG21	05024688610
PG29	HV24B-SFH-4B-PG29	05024683710
2PG29	HV24B-SFH-4B-2PG29	05024688710
with plastic cover		
M32	HV24B-SFH-4B-CV-M32	05024681420
2M32	HV24B-SFH-4B-CV-2M32	05024686420
PG21	HV24B-SFH-4B-CV-PG21	05024683620
2PG21	HV24B-SFH-4B-CV-2PG21	05024688620
PG29	HV24B-SFH-4B-CV-PG29	05024683720
2PG29	HV24B-SFH-4B-CV-2PG29	05024688720
with metal cover		
M32	HV24B-SFH-4B-MCV-M32	05024681421
2M32	HV24B-SFH-4B-MCV-2M32	05024686421
PG21	HV24B-SFH-4B-MCV-PG21	05024683621
2PG21	HV24B-SFH-4B-MCV-2PG21	05024688621
PG29	HV24B-SFH-4B-MCV-PG29	05024683721
2PG29	HV24B-SFH-4B-MCV-2PG29	05024688721



Protection covers, metal



Connect way	Application	Designation	Order No.
	for hoods	H24B-MCV-4B/1	03024398011
	for housings	H24B-MCV-4B/2	03024398021

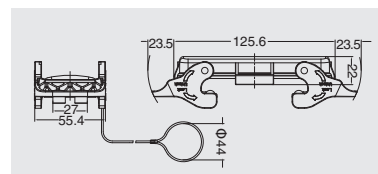


Protection covers, metal



Connect way	Application	Designation	Order No.
	for hoods	H24B-MCV-2L/PSR.1S	03024392052
	for housings	H24B-MCV-2L/PSR.2	03024392053

Please refer to page 16-02 for choosing proper model of lock.



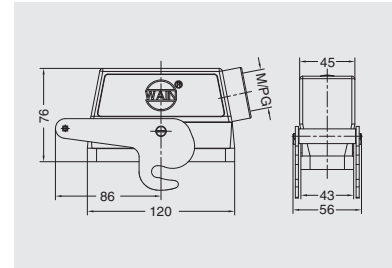
HV24B Metal hoods/housings
 - for high voltage inserts(HVE Series)

Degree of protection: IP65

Hoods, side entry, high construction



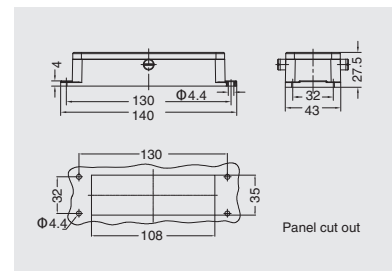
Thread	Designation	Order No.
M32	HV24B-SEH-1L/C-M32	05024311446
PG29	HV24B-SEH-1L/C-PG29	05024313746



Housings, bulkhead mounting



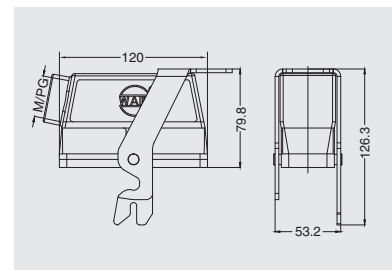
Thread	Designation	Order No.
---	HV24B-BK-2B/C	05024040030



Hoods, side entry, high construction



Thread	Designation	Order No.
M32	HV24B-SEH-1L/B-M32	05024311430
PG29	HV24B-SEH-1L/B-PG29	05024313730



Housings, bulkhead mounting



Thread	Designation	Order No.
---	HV24B-BK-2B/B	05024040010

