

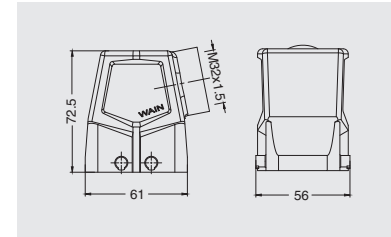
6B Plastic hoods/housings

Degree of protection: IP65

Hoods, side entry, high construction



Thread	Designation	Order No.
M32	H6B.P-SEH-4B-M32	03P06381410

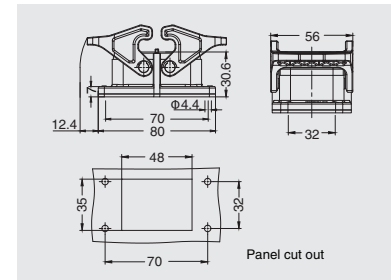


H

Housings, bulkhead mounting



Thread	Designation	Order No.
---	H6B.P-BK-2L	03P06020010



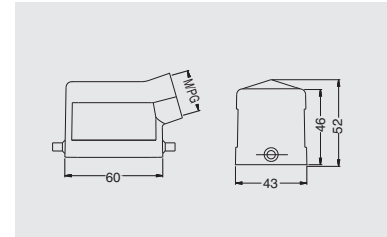
6B Metal hoods/housings

Degree of protection: IP65

Hoods, side entry



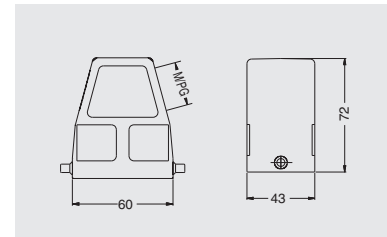
Thread	Designation	Order No.
M20	H6B-SE-2B-M20	03006141210
PG13.5	H6B-SE-2B-PG13.5	03006143410
PG16	H6B-SE-2B-PG16	03006143510



Hoods, side entry, high construction



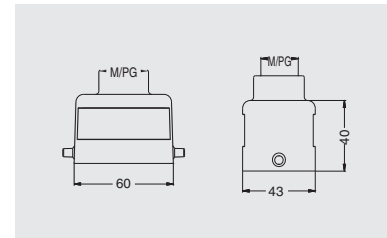
Thread	Designation	Order No.
M25	H6B-SEH-2B-M25	03006341310
M32	H6B-SEH-2B-M32	03006341410
PG21	H6B-SEH-2B-PG21	03006343610



Hoods, top entry



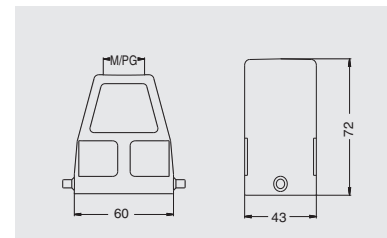
Thread	Designation	Order No.
M20	H6B-TE-2B-M20	03006241210
PG13.5	H6B-TE-2B-PG13.5	03006243410
PG16	H6B-TE-2B-PG16	03006243510



Hoods, top entry, high construction



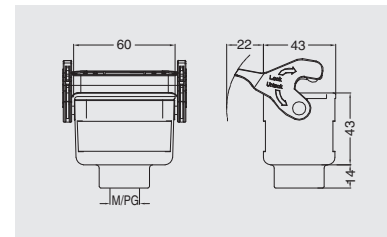
Thread	Designation	Order No.
M25	H6B-TEH-2B-M25	03006441310
M32	H6B-TEH-2B-M32	03006441410
PG21	H6B-TEH-2B-PG21	03006443610



Housings, cable to cable



Thread	Designation	Order No.
M20	H6B-CCT-1L/PSR-M20	03006711252
PG13.5	H6B-CCT-1L/PSR-PG13.5	03006713552
PG16	H6B-CCT-1L/PSR-PG16	03006713652

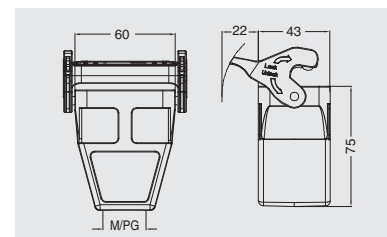


Please refer to page 16-02 for choosing proper model of lock.

Housings, cable to cable
high construction



Thread	Designation	Order No.
M25	H6B-CCTH-1L/PSR-M25	03006811352
PG21	H6B-CCTH-1L/PSR-PG21	03006813652



Please refer to page 16-02 for choosing proper model of lock.

6B Metal hoods/housings

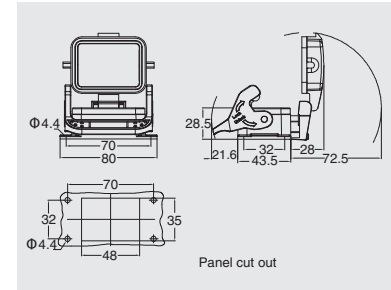
Degree of protection: IP65

Housings, bulkhead mounting



Thread	Designation	Order No.
--	H6B-BK-1L/ PSR	03006010052
	with plastic cover	
--	H6B-BK-1L/ PSR-CV	03006010065
	with metal cover	
--	H6B-BK-1L/ PSR-MCV	03006010062

Please refer to page 16-02 for choosing proper model of **lock**.

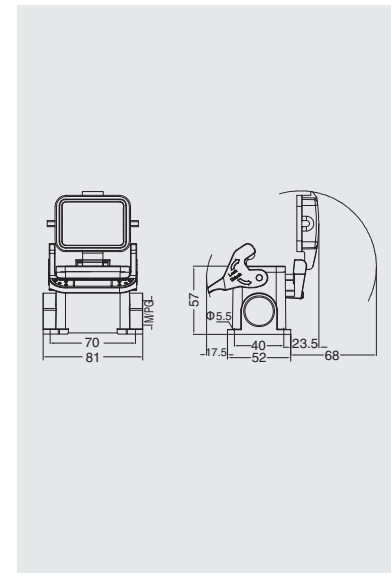


Housings, surface mounting



Thread	Designation	Order No.
M20	H6B-SF-1L/ PSR -M20	03006511252
2M20	H6B-SF-1L/ PSR -2M20	03006516252
M25	H6B-SF-1L/ PSR -M25	03006511352
2M25	H6B-SF-1L/ PSR -2M25	03006516352
PG16	H6B-SF-1L/ PSR -PG16	03006513552
2PG16	H6B-SF-1L/ PSR -2PG16	03006518552
	with plastic cover	
M20	H6B-SF-1L/ PSR-CV -M20	03006511265
2M20	H6B-SF-1L/ PSR-CV -2M20	03006516263
M25	H6B-SF-1L/ PSR-CV -M25	03006511363
2M25	H6B-SF-1L/ PSR-CV -2M25	03006516363
PG16	H6B-SF-1L/ PSR-CV -PG16	03006513563
2PG16	H6B-SF-1L/ PSR-CV -2PG16	03006518563
	with metal cover	
M20	H6B-SF-1L/ PSR-MCV -M20	03006511264
2M20	H6B-SF-1L/ PSR-MCV -2M20	03006516264
M25	H6B-SF-1L/ PSR-MCV -M25	03006511393
2M25	H6B-SF-1L/ PSR-MCV -2M25	03006516364
PG16	H6B-SF-1L/ PSR-MCV -PG16	03006513564
2PG16	H6B-SF-1L/ PSR-MCV -2PG16	03006518564

Please refer to page 16-02 for choosing proper model of **lock**.



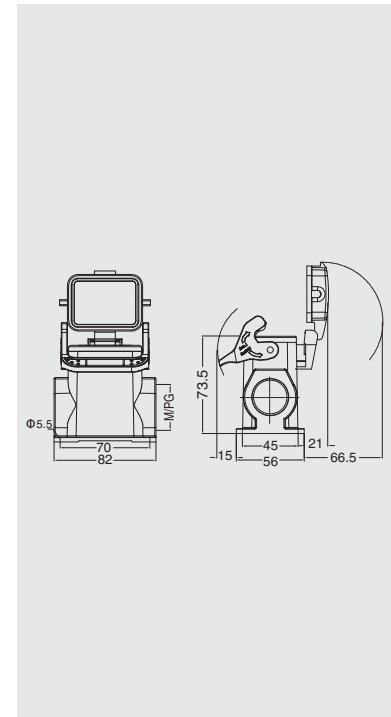
Housings, surface mounting

high construction



Thread	Designation	Order No.
M25	H6B-SFH-1L/ PSR -M25	03006611352
2M25	H6B-SFH-1L/ PSR -2M25	03006616352
M32	H6B-SFH-1L/ PSR -M32	03006611452
2M32	H6B-SFH-1L/ PSR -2M32	03006616452
PG21	H6B-SFH-1L/ PSR -PG21	03006613652
2PG21	H6B-SFH-1L/ PSR -2PG21	03006618652
PG29	H6B-SFH-1L/ PSR -PG29	03006613752
2PG29	H6B-SFH-1L/ PSR -2PG29	03006618752
	with plastic cover	
M25	H6B-SFH-1L/ PSR-CV -M25	03006611363
2M25	H6B-SFH-1L/ PSR-CV -2M25	03006616363
M32	H6B-SFH-1L/ PSR-CV -M32	03006611463
2M32	H6B-SFH-1L/ PSR-CV -2M32	03006616463
PG21	H6B-SFH-1L/ PSR-CV -PG21	03006613663
2PG21	H6B-SFH-1L/ PSR-CV -2PG21	03006618663
PG29	H6B-SFH-1L/ PSR-CV -PG29	03006613763
2PG29	H6B-SFH-1L/ PSR-CV -2PG29	03006618763
	with metal cover	
M25	H6B-SFH-1L/ PSR-MCV -M25	03006611364
2M25	H6B-SFH-1L/ PSR-MCV -2M25	03006616364
M32	H6B-SFH-1L/ PSR-MCV -M32	03006611464
2M32	H6B-SFH-1L/ PSR-MCV -2M32	03006616464
PG21	H6B-SFH-1L/ PSR-MCV -PG21	03006613664
2PG21	H6B-SFH-1L/ PSR-MCV -2PG21	03006618664
PG29	H6B-SFH-1L/ PSR-MCV -PG29	03006613764
2PG29	H6B-SFH-1L/ PSR-MCV -2PG29	03006618764

Please refer to page 16-02 for choosing proper model of **lock**.



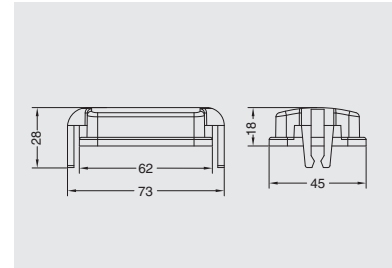
6B Metal hoods/housings

Degree of protection: IP65

Protection covers, plastic



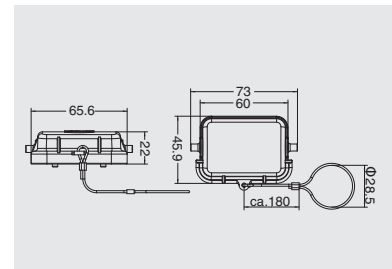
Connect way	Application	Designation	Order No.
---	for hoods	H6B-CV-2C	08221212000



Protection covers, metal



Connect way	Application	Designation	Order No.
	for hoods	H6B-MCV-2B/1	03006394010
	for housings	H6B-MCV-2B/2	03006394021

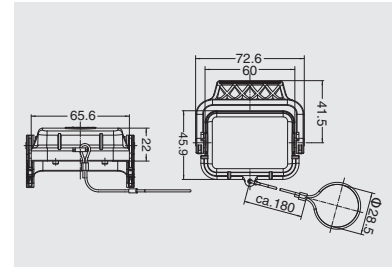


Protection covers, metal



Connect way	Application	Designation	Order No.
	for hoods	H6B-MCV-1L/PSR.1S	03006391052

Please refer to page 16-02 for choosing proper model of lock.

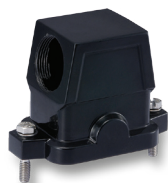


6B Pressure tight hoods/housings

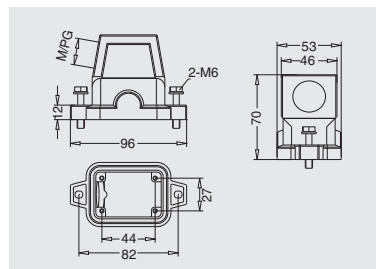
Degree of protection: IP68

W version

Hoods, side entry, high construction



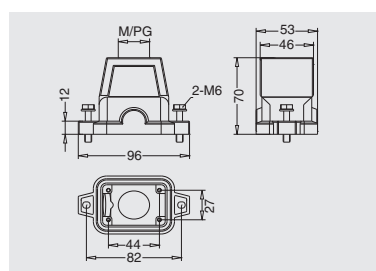
Thread	Designation	Order No.
M20	HP6B-SEH-2S-M20	04006351202
M25	HP6B-SEH-2S-M25	04006351302
M32	HP6B-SEH-2S-M32	04006351402
PG16	HP6B-SEH-2S-PG16	04006353502
PG21	HP6B-SEH-2S-PG21	04006353602



Hoods, top entry, high construction



Thread	Designation	Order No.
M20	HP6B-TEH-2S-M20	04006451202
M25	HP6B-TEH-2S-M25	04006451302
M32	HP6B-TEH-2S-M32	04006451402
PG16	HP6B-TEH-2S-PG16	04006453502
PG21	HP6B-TEH-2S-PG21	04006453602
PG29	HP6B-TEH-2S-PG29	04006453702

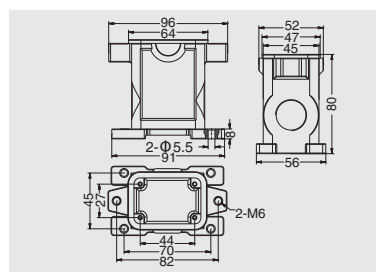


Housings, surface mounting

high construction



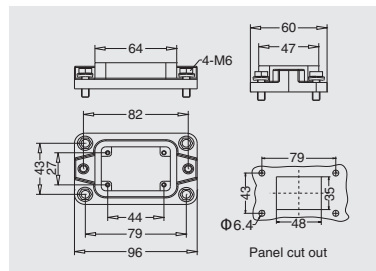
Thread	Designation	Order No.
M20	HP6B-SFH-2H-M20	04006551202
M25	HP6B-SFH-2H-M25	04006551302
M32	HP6B-SFH-2H-M32	04006551402
PG16	HP6B-SFH-2H-PG16	04006553502
PG21	HP6B-SFH-2H-PG21	04006553602



Housings, bulkhead mounting



Thread	Designation	Order No.
--	HP6B-BK-2H	04006050002



6B Pressure tight hoods/housings

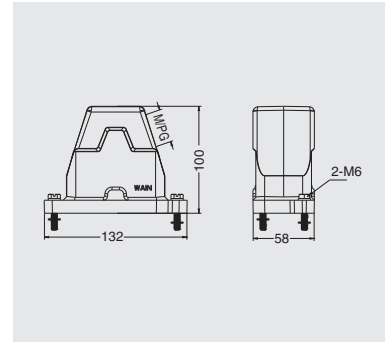
Degree of protection: IP68

H version

Hoods, side entry, high construction



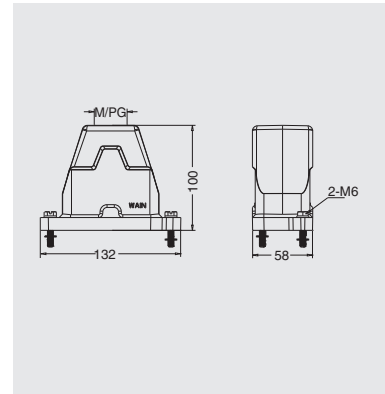
Thread	Designation	Order No.
	Screw locking	
M20	HP6B/H-SEH-2S-M20	04106351202
M25	HP6B/H-SEH-2S-M25	04106351302
M32	HP6B/H-SEH-2S-M32	04106351402
PG16	HP6B/H-SEH-2S-PG16	04106353502
PG21	HP6B/H-SEH-2S-PG21	04106353602
	Toggle locking	
M20	HP6B/H-SEH-2T-M20	04206351202
M25	HP6B/H-SEH-2T-M25	04206351302
M32	HP6B/H-SEH-2T-M32	04206351402
PG16	HP6B/H-SEH-2T-PG16	04206353502
PG21	HP6B/H-SEH-2T-PG21	04206353602



Hoods, top entry, high construction

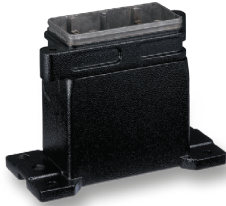


Thread	Designation	Order No.
	Screw locking	
M20	HP6B/H-TEH-2S-M20	04106451202
M25	HP6B/H-TEH-2S-M25	04106451302
M32	HP6B/H-TEH-2S-M32	04106451402
PG16	HP6B/H-TEH-2S-PG16	04106453502
PG21	HP6B/H-TEH-2S-PG21	04106453602
PG29	HP6B/H-TEH-2S-PG29	04106453702
	Toggle locking	
M20	HP6B/H-TEH-2T-M20	04206451202
M25	HP6B/H-TEH-2T-M25	04206451302
M32	HP6B/H-TEH-2T-M32	04206451402
PG16	HP6B/H-TEH-2T-PG16	04206453502
PG21	HP6B/H-TEH-2T-PG21	04206453602
PG29	HP6B/H-TEH-2T-PG29	04206453702

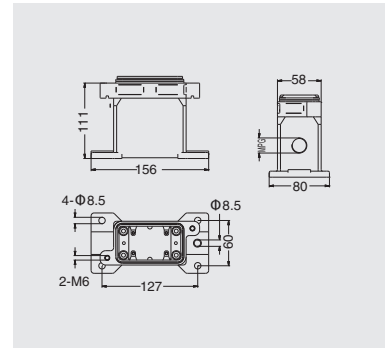


Housings, surface mounting

high construction



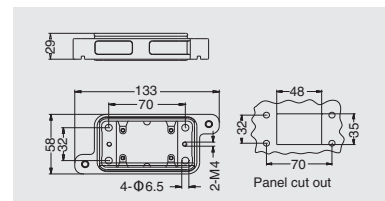
Thread	Designation	Order No.
	Screw locking	
M20	HP6B/H-SFH-2H-M20	04106611202
M25	HP6B/H-SFH-2H-M25	04106611302
M32	HP6B/H-SFH-2H-M32	04106611402
PG16	HP6B/H-SFH-2H-PG16	04106613502
PG21	HP6B/H-SFH-2H-PG21	04106613602
	Toggle locking	
M20	HP6B/H-SFH-2T-M20	04206611202
M25	HP6B/H-SFH-2T-M25	04206611302
M32	HP6B/H-SFH-2T-M32	04206611402
PG16	HP6B/H-SFH-2T-PG16	04206613502
PG21	HP6B/H-SFH-2T-PG21	04206613602



Housings, bulkhead mounting



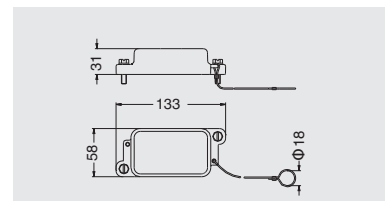
Thread	Designation	Order No.
	Screw locking	
---	HP6B/H-BK-2H	04106050002
	Toggle locking	
---	HP6B/H-BK-2T	04206050002



Protection covers



Thread	Designation	Order No.
	Screw locking	
---	HP6B/H-MCV-2S	04106390002
	Toggle locking	
---	HP6B/H-MCV-2T	04206390002

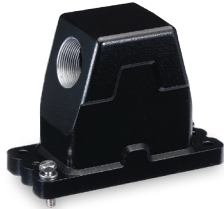


6B Pressure tight hoods/housings

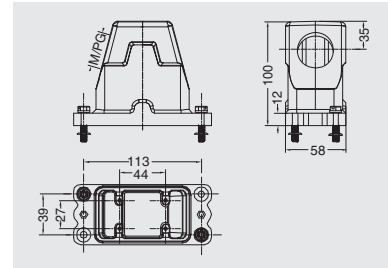
Degree of protection: IP68

H version

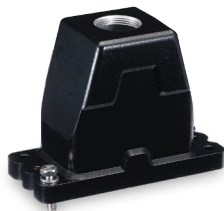
Hoods, side entry, high construction



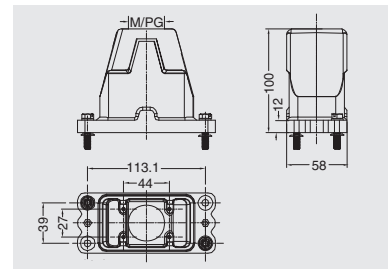
Thread	Designation	Order No.
M20	HP6B/H-SEH-4S-M20	04106361202
M25	HP6B/H-SEH-4S-M25	04106361302
M32	HP6B/H-SEH-4S-M32	04106361402
M40	HP6B/H-SEH-4S-M40	04106361502
PG16	HP6B/H-SEH-4S-PG16	04106363502
PG21	HP6B/H-SEH-4S-PG21	04106363602



Hoods, top entry, high construction



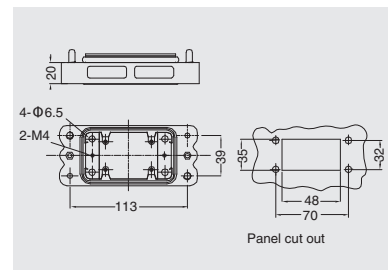
Thread	Designation	Order No.
M20	HP6B/H-TEH-4S-M20	04106461202
M25	HP6B/H-TEH-4S-M25	04106461302
M32	HP6B/H-TEH-4S-M32	04106461402
M40	HP6B/H-TEH-4S-M40	04106461502
PG16	HP6B/H-TEH-4S-PG16	04106463502
PG21	HP6B/H-TEH-4S-PG21	04106463602
PG29	HP6B/H-TEH-4S-PG29	04106463702



Housings, bulkhead mounting



Thread	Designation	Order No.
---	HP6B/H-BK-4H	04106060002



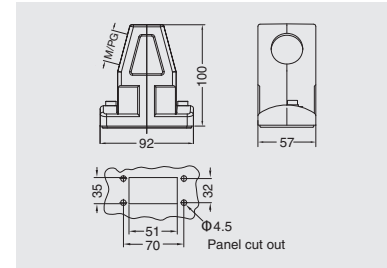
6B Pressure tight hoods/housings

Degree of protection: IP68

Hoods, side entry, high construction



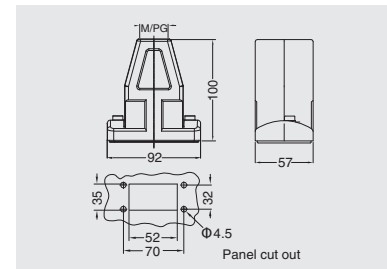
Thread	Designation	Order No.
M20	HC6B-SEH-2S-M20	04206351201
M25	HC6B-SEH-2S-M25	04206351301
PG16	HC6B-SEH-2S-PG16	04206353501
PG21	HC6B-SEH-2S-PG21	04206353601



Hoods, top entry, high construction



Thread	Designation	Order No.
M20	HC6B-TEH-2S-M20	04206451201
M25	HC6B-TEH-2S-M25	04206451301
PG16	HC6B-TEH-2S-PG16	04206453501
PG21	HC6B-TEH-2S-PG21	04206453601



Protection covers



Application	Designation	Order No.
for integral type hoods	APT-C	08139140000

