

HV SERIES

Single row connector

HV



HV single row inserts



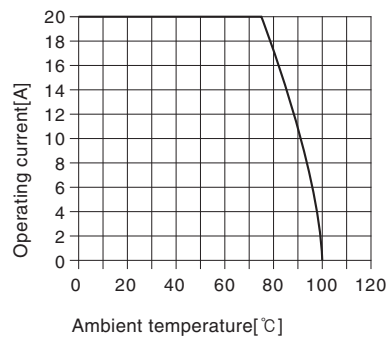
Technical characteristics

Specifications	
	DIN EN 60 664 DIN EN 61 984
Inserts	
Number of contacts	8 +PE
Rated current	20A
Rated voltage	400V
Rated impulse voltage	6KV
Pollution degree	3
Insulation resistance	$\geq 10^{10} \Omega$
Flammability acc. to UL 94	V0
Mechanical working life(mating cycles)	$\geq 500V$
Material	PA
Limiting temperatures	-40°C ... +100°C
Contacts	
Material	copper alloy
Surface	tin plating
Contact resistance	$\leq 1m\Omega$
Terminal	
-Screw terminal	
-Wire gauge	0.2—4.0mm ²
-Tightening torque	0.5–0.6Nm
-Stripping length	7.0mm
Hoods/Housings	
Material	Zine-alloy
Surface	nickel plating
Locking element	Screw locking
Sealing element	NBR
Flammability acc. to UL 94	V0
Limiting temperatures	-40°C ~ +125°C
Degree of protection	IP67

Current carrying capacity

The current carrying is limited by maximum temperature of materials for inserts and contacts including terminals

Control and test procedures according to DIN EN 60512-5



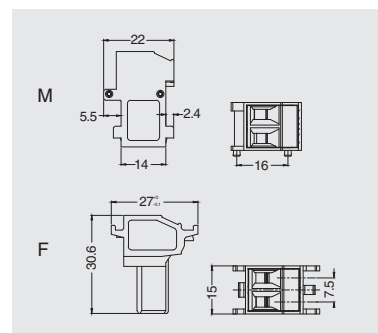
HV single row inserts

400V 20A 8+

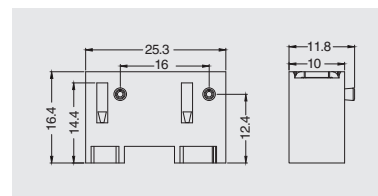
Inserts



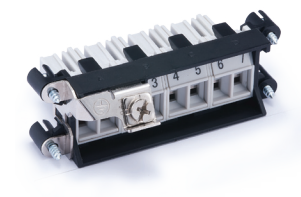
Insert	Designation	Order No.
Male	HV-S02-M	13V00210100
Female	HV-S02-F	13V00210200



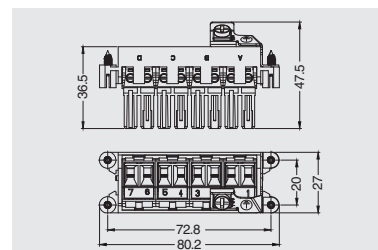
Description	Designation	Order No.
Panel ground	HV-A-PEA	03V00101000



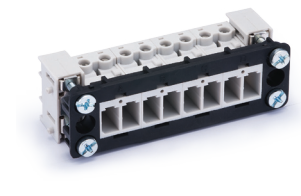
External member 1
with female inserts and frame



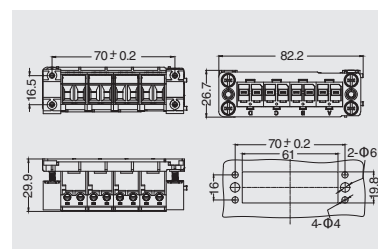
Description	Designation	Order No.
hoods/housings frame external member	HV-HF3/4M-PEA-S2222	A3V03C10240



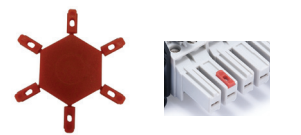
External member 2
with male inserts and frame



Description	Designation	Order No.
Panel frame external member	HV-AF3/4M-PEA-S2222	A3V03C20240



Plug piece

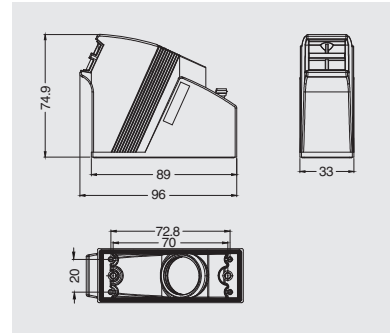


Description	Designation	Order No.
Preventing interpolation	CODE-V	08131109500

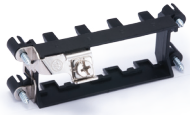
Hoods/Housings, nickel plating



Thread	Designation	Order No.
M25	EMC.HV-PM-H3/C-M25	03V03151310



Frame



Description	Designation	Order No.
with 4 module hoods/housings frame	HV-HF3/4M-PEA	03V03C04100

