

HE AV SERIES

Extendible connector

HE
AV



HE AV SERIES Extendible inserts

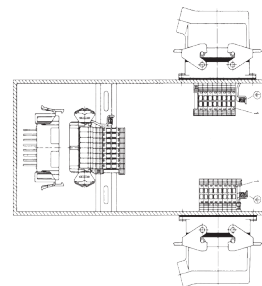
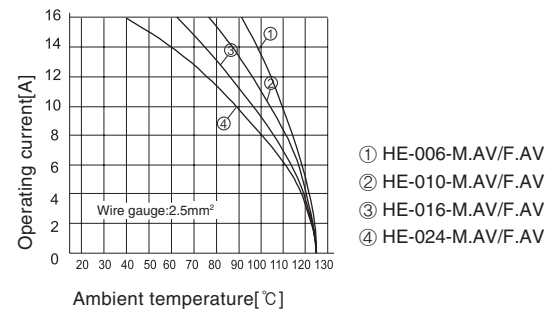
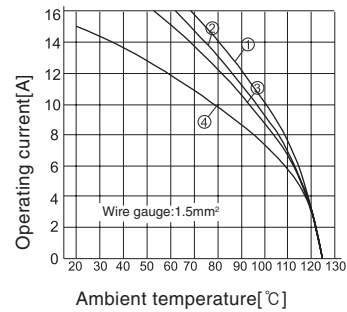
Technical characteristics

Specifications	DIN EN 60 664 DIN EN 61 984
Approvals	
Inserts	
Number of contacts	6,10,16,24,32(2x16),48(2x24)+PE
Electrical data acc. to EN 61 984	
-Rated current	16A
-Rated voltage	500V
-Rated impulse voltage	6KV
-Pollution degree	3
-Pollution degree 2 also	16A 400/690V 6kV 2
Rated voltage acc. to UL/CSA	600V
Insulation resistance	$\geq 10^{10}\Omega$
Material	polycarbonate
Limiting temperatures	-40 °C ... +125 °C
Flammability acc. to UL 94	V0
Mechanical working life(mating cycles)	≥ 500
Contacts	
Material	copper alloy
Surface	
- mating side	hard-silver plated
- termination side	tin plated
Contact resistance	$\leq 4m\Omega$
Screw terminal	
- Wire gauge	0.2-2.5mm ²
- AWG	24-14
- Tightening/test torque	0.5Nm
Cage clamp terminal	
- Wire gauge	0.14-2.5mm ²
- AWG	26-14

Current carrying capacity

The current carrying is limited by maximum temperature of materials for inserts and contacts including terminals

Control and test procedures according to DIN EN 60512-5



HE AV Extendible inserts

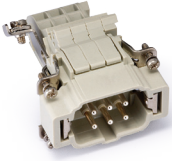
500V 16A 6+⊕



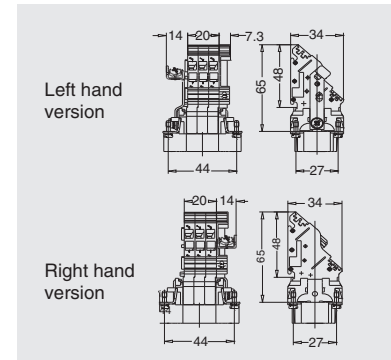
Inserts

Hoods/Housings: size 6B bulkhead mounting housings.

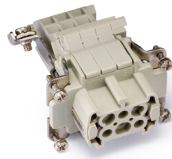
Screw terminal



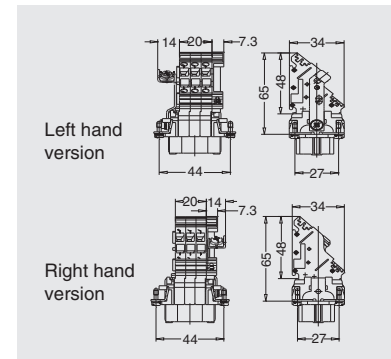
Size	Description	Designation	Order No.
6B	left hand version	HE-006-M.AV.L	03900610100
6B	right hand version	HE-006-M.AV.R	03900620100



Screw terminal



Size	Description	Designation	Order No.
6B	left hand version	HE-006-F.AV.L	03900610200
6B	right hand version	HE-006-F.AV.R	03900620200



HE AV Extendible inserts

500V 16A 10+ 

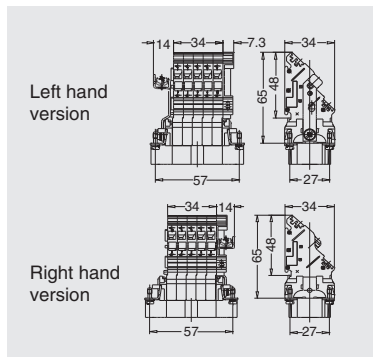
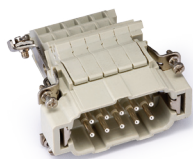


Inserts

Hoods/Housings: size 10B bulkhead mounting housings.

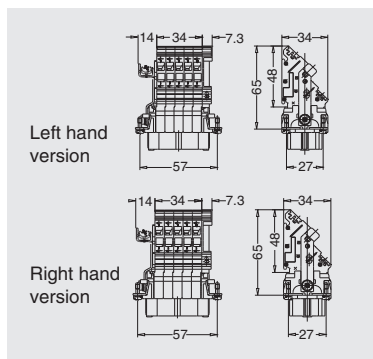
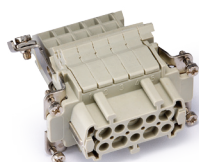
Screw terminal

Size	Description	Designation	Order No.
10B	left hand version	HE-010-M.AV.L	03901010100
10B	right hand version	HE-010-M.AV.R	03901020100



Screw terminal

Size	Description	Designation	Order No.
10B	left hand version	HE-010-F.AV.L	03901010200
10B	right hand version	HE-010-F.AV.R	03901020200



HE AV Extendible inserts

500V 16A 16+⊕



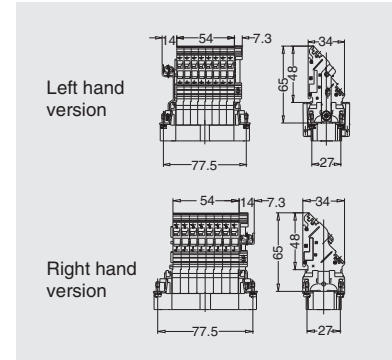
Inserts

Hoods/Housings: size 16B bulkhead mounting housings.

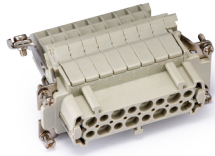
Screw terminal



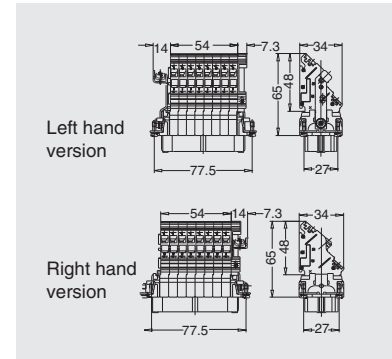
Size	Description	Designation	Order No.
16B	left hand version	HE-016-M.AV.L	03901610100
16B	right hand version	HE-016-M.AV.R	03901620100



Screw terminal



Size	Description	Designation	Order No.
16B	left hand version	HE-016-F.AV.L	03901610200
16B	right hand version	HE-016-F.AV.R	03901620200



HE AV Extendible inserts

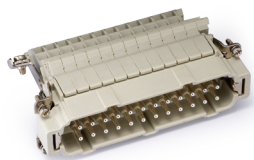
500V 16A 24+⊕



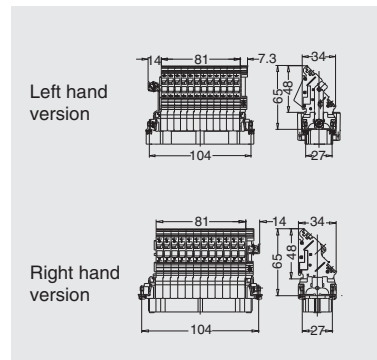
Inserts

Hoods/Housings: size 24B bulkhead mounting housings.

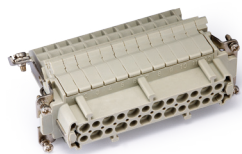
Screw terminal



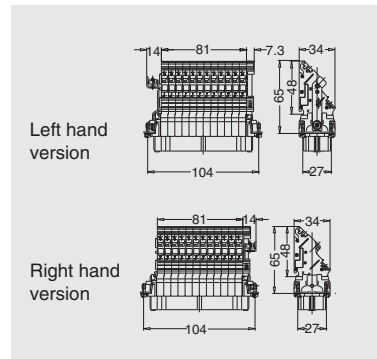
Size	Description	Designation	Order No.
24B	left hand version	HE-024-M.AV.L	03902410100
24B	right hand version	HE-024-M.AV.R	03902420100



Screw terminal



Size	Description	Designation	Order No.
24B	left hand version	HE-024-F.AV.L	03902410200
24B	right hand version	HE-024-F.AV.R	03902420200

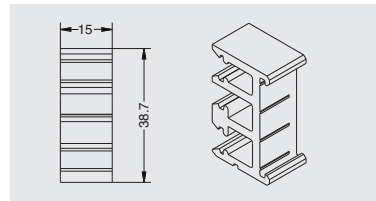


when used these element,for example,can be used to secure the connector inside the switch cabinet on standard rails.

Fixing element



Description	Designation	Order No.
for terminal block connector	FE-EAV	03100010100



HE
AV

Examples for Installstion

Introductions

- HE-006 =1pcs
- HE-010,HE-016,HE-024 =2pcs

